



Designed for the effective and practical automotive technicians

EAE Automotive Equipment Company Limited

EAE Wujiang | 1089 North Yunlian Rd.
Wujiang Suzhou
Tel 0086-512-63032886

EAE Shanghai | Rm 501, Bldg 2, No.600,
West Yunling Rd. Putuo, Shanghai
Tel/Fax 0086-21-32500750/32500785

EAE UK | Unit 2 The Harlescott Business Park,
Shrewsbury, Shropshire SY1 3AG
Tel/Fax 44 844 800 7522/44 844 800 7523



www.eae-ae.com Toll Free Call:400 9911 109 sales@eae-ae.com

2022

ABOUT US

Since 2003, we, EAE Automotive Equipment Company Limited, with manufacturing facility in Wujiang and over 300 employees, focusing on passenger and commercial vehicle service lifts, have been one of the most professional players in the automotive aftermarket.

In recent years, we have taken great stride in market expansion both overseas and in China. With a complete range of passenger vehicle lifts under 8000KG load capacity and commercial vehicle service lifts under 80Tons that are manufactured in-house at our Wujiang manufacturing facility, our products and solutions have been commissioned in over 90 countries. In addition, we have been exceptionally successful in domestic passenger vehicle lift market, winning numerous awards, projects, approvals, and certifications from a number of car manufacturers.

However, because of our realizing that the market is ever changing and competition increasing, we never ignore our heavy focus in research and development, and product FMEA/longevity testing, product training, and demonstration of our products and solutions.

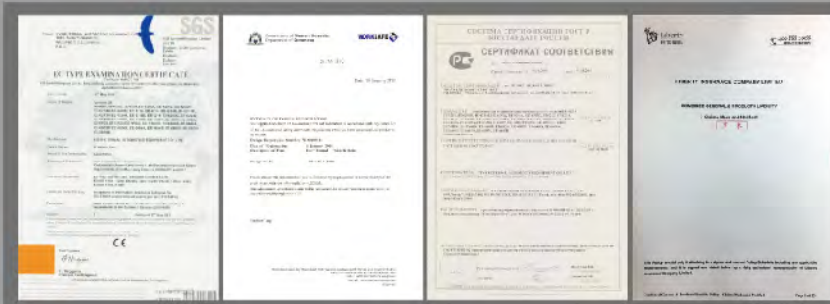
We hope that you join us in this journey, so that together we can bring our businesses to a new level of success.

EAE is not only your vehicle lift supplier, but your partner.



5 YEAR WARRANTY
EAE www.eae-ae.com

5/2/2 WARRANTY POLICY
5 years for lift structure
2 years for hydraulic components
2 years for electrical parts



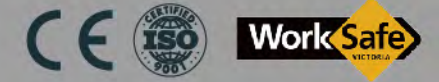
COMPANY EVENTS

2003

Founded

2004

Gradually obtained CE, ISO9001: 2000, Australian WorkSafe, GOST Russia certifications.



2007

Established manufacturing facility in Wujiang.



2008

Obtained Approval from GEA/VOSA UK for EAE's 4-Post Car Lift with optional play detector to be part of the MOT vehicle testing process in the UK.



2009

Launched 5.5T long platform scissor lift.



2012

Renamed Ever-Eternal to EAE (Everlift And Everet).



2014

Set up EAE UK branch office to begin trials and explorations of international operations.



2017

Mobile Lifting Table, which designed for dismantling and fixing batteries of electric vehicles, successfully developed.



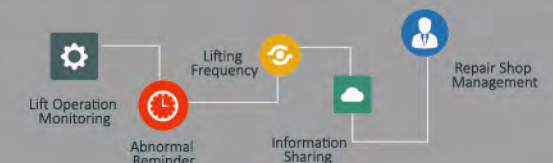
2018

A series of intelligent lifts were successfully developed through PLC control, including mobile column vehicle lifts, heavy duty long platform scissor lift and new 2-post lift.



2020

Vehicle Lift Intelligent Management System successfully developed.



INDEX

INDEX



EE-612E/2.5T



EE-612FE/2.5T



EE-C12E/6.0T



EE-C9M/EE-C10M 3.5T/4.2T



EE-F9M/EE-F10M 3.5T/4.2T



EE-6214EKZ/EE-6215EKZ 4.0T/5.0T



EE-62C/3.5T/4.2T/5.0T



EE-62B/3.5T/4.2T/5.0T



EE-6435S/B/4.0T-5.0T



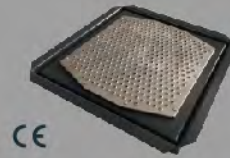
EE-6435BWF/4.0T-5.0T



EE-6445P/4.0T



MOT&ATL LIFTS



PD/PD8



EE-65A-40T/4.0T



EE-6501/3.0T



EE-6503V2/3.5T



EE-MR35/3.5T



EE-MR30/3.0T



EE-TS6600/3.0T



EE-MS12M/1.2T



EE-MS10/1.0T



EE-HX6/6.0T



EE-6603/4.2T-5.0T



EE-6604/4.0T



EE-LX35/3.5T



EE-CJ/3.0T



EE-SCJ(B)/3.0T



EE-MLH10/1.0T



EE-MLH10D/1.0T

Heavy duty



EE-6435-65T/6.5T



EE-HDM/16T-80T



EE-HX150/15T

None CE



EE-C9/C10 4.0T/4.5T



EE-C12/5.5T

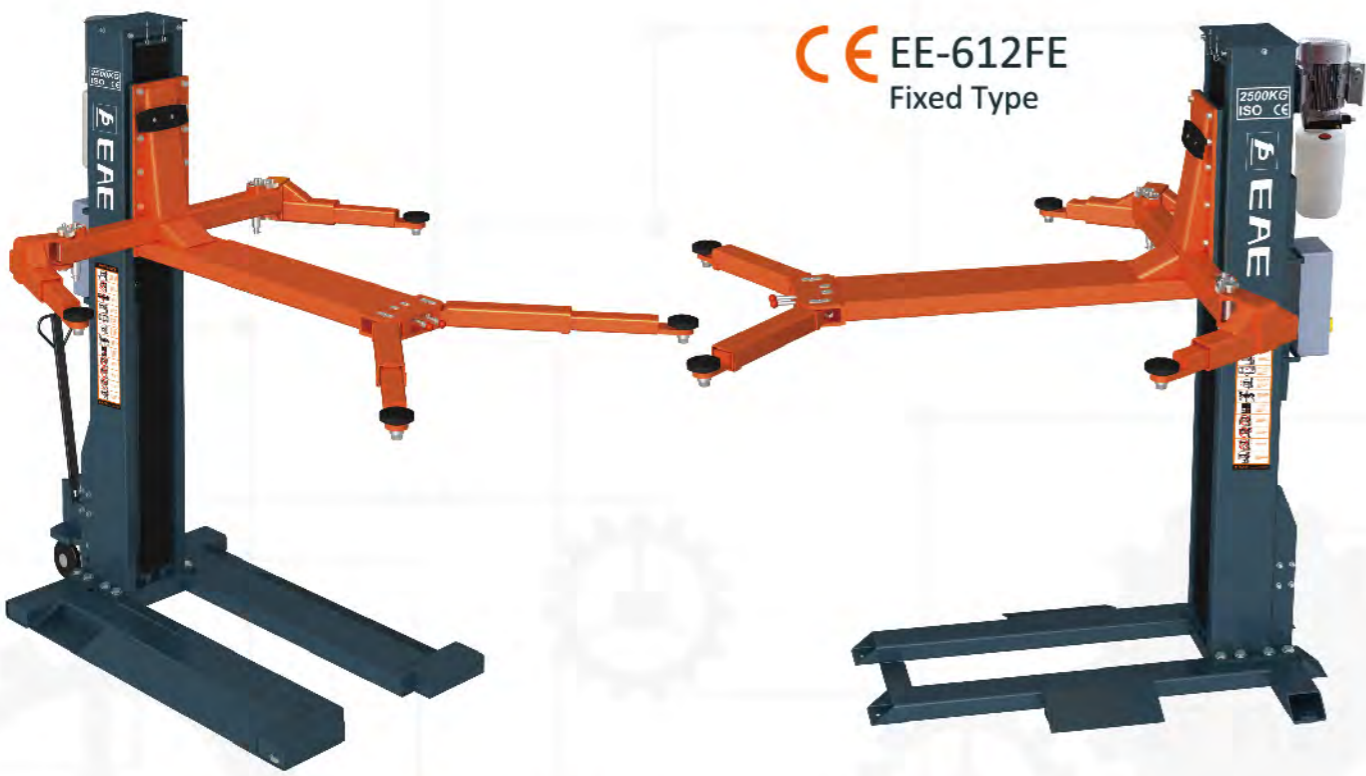


EE-F9/F10/F12 4.0T/4.5T/5.5T



EE-64P2/3.0T

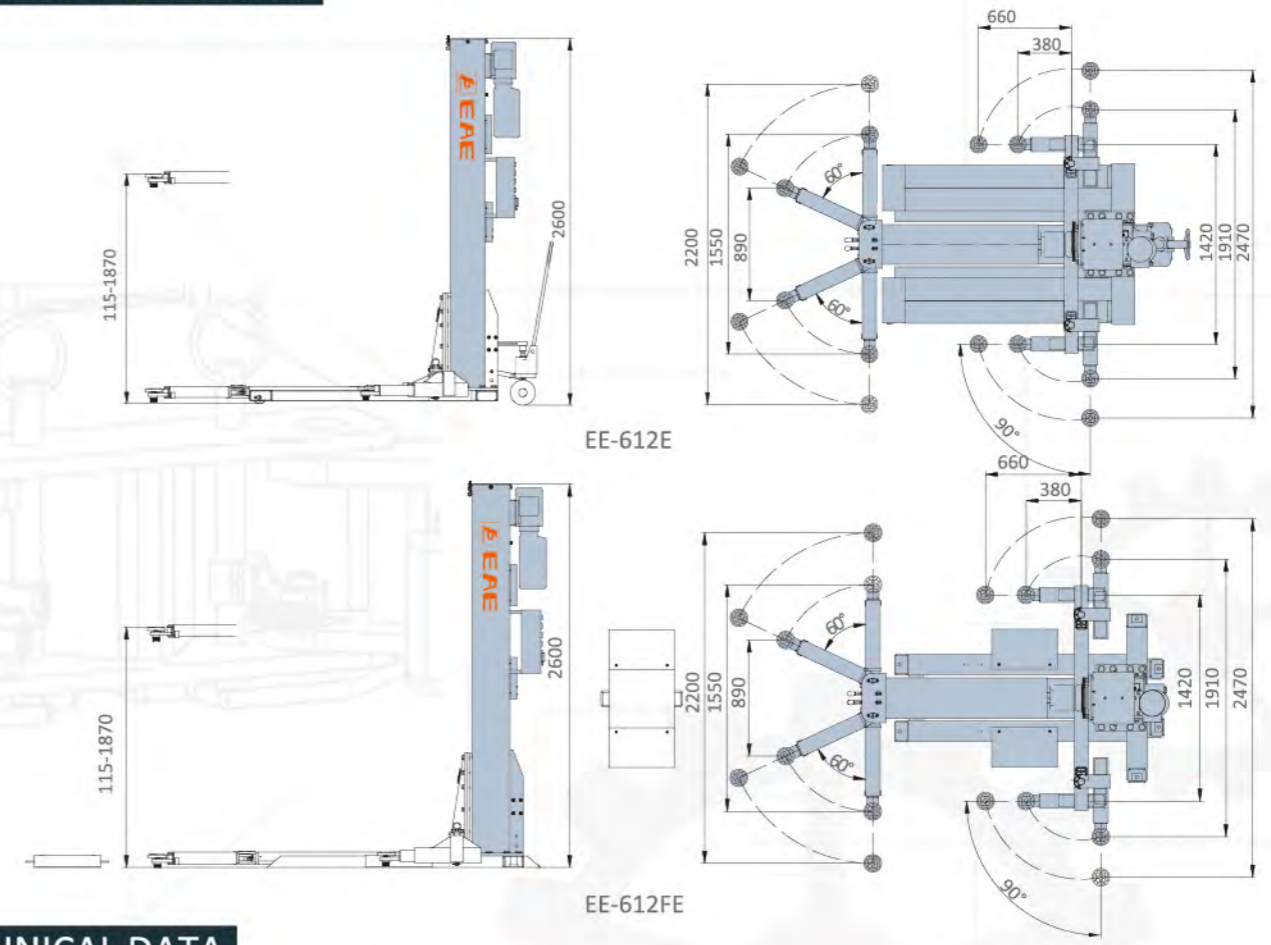
2500KG | **Swing Arms** | **Button**
Lifting Capacity | Find Picking Up Points Easily | Control



EE-612FE
Fixed Type

EE-612E
Mobile Type

OVERALL DIMENSION



TECHNICAL DATA

MODEL NO.	EE-612E	EE-612FE
Lifting capacity	2500kg	2500kg
Max. lifting height	1870mm	1870mm
Min. height	115mm	115mm
Lifting time	50S	50S
Motor	2.2kW	2.2kW
Weight	910kg	860kg
Electricity supply	According To Customer Needs	

* Machine shown with optional equipment. Actual product appearance may differ.



EE-612E/612FE

SINGLE POST LIFT

- CE certificated.
- Mobile Positioning based on Pallet Jack System.
- Electrical Safety Lock Release System.
- Aluminum Motor.
- Screw Action Height Adjustable Pads with clearance height ≤115mm.
- Powder Coated Finish.
- Door Protection Pads.
- ABS Control Box.
- Anti-Surge Hydraulic Valve.
- Hydraulic overload protection.
- Reserved Hydraulic Connection for an Optional Manually Operated Pump.
- Installation and Operation Manual and Labels in Chinese, English, Spanish, German, French, Russian, Swedish (Other Languages Available Upon Request).



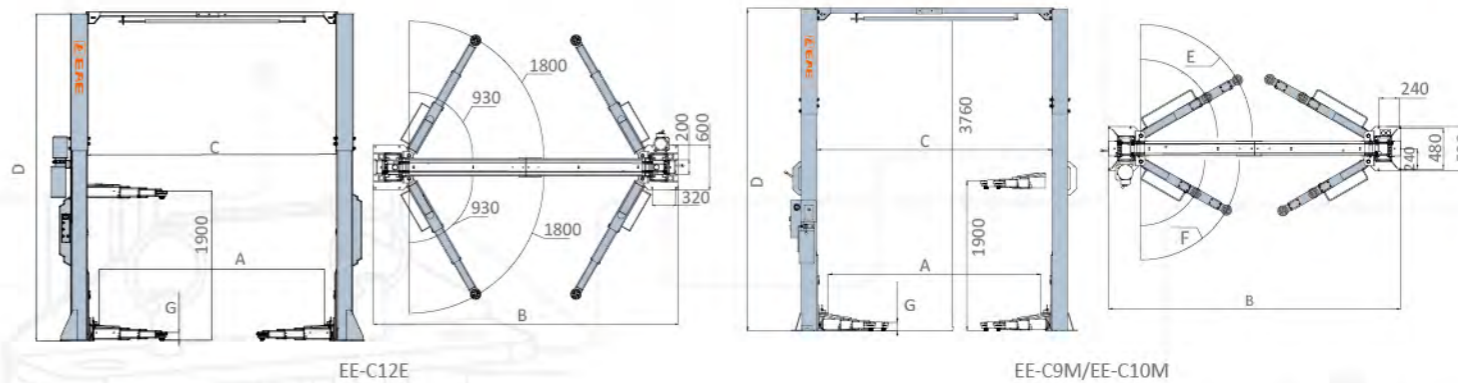


EE-C12E
Electrical Release



EE-C9M/C10M
One Side Operation

OVERALL DIMENSION



TECHNICAL DATA

MODEL NO.	EE-C9M	EE-C10M	EE-C12E
Lifting capacity	3500kg	4200kg	6000kg
Max. lifting height	1900mm	1900mm	1900mm
Min. height(G)	95mm-160mm	95mm-160mm	110mm-160mm
Lifting time	55S	55S	85S
Motor	2.2kW	2.2kW	2.2kW
Overall Height(D)	3900mm	3900mm	4451/5051mm
Drive-through width(A)	2558mm	2728mm	3025mm
Overall width(B)	3420mm	3590mm	4070mm
Inside Column(C)	2830mm	3000mm	3342mm
Two stage rear long arm(E)	890-1390mm	890-1390mm	/
Two stage front shortarm(F)	740-1150mm	740-1150mm	/
Four Three Stage Arm(mm)	/	/	930-1800mm
24V Control Box	√	√	√
Feet protection fender	√	√	√
Electricity supply	According To Customer Needs		

* Max. Lifting height is measured with adjustable screw pads in highest position.
* Machine shown with optional equipment. Actual product appearance may differ.



C SERIES

TWO POST LIFT

- Clear floor design for easy movement of maintenance equipment under the raised vehicle.
- Cylinder straight top device, run more smoothly.
- Durable cylinders in each column carry with anti-surge valves.
- With vehicle roof protection. The power system switches off when vehicle roof touches the rubber protected overhead bar.
- Pre-fixed hydraulic pressure prevents overloading operation.
- Standard column curtain.
- 24V safe control system.



Vehicle Roof Protection Limit Switch



Strong Carriage and Arm Structure



Easier for making both sides work synchronously



Single Side Release (EE-C9M/C10M)



24 Control Box (EE-C9M/C10M)

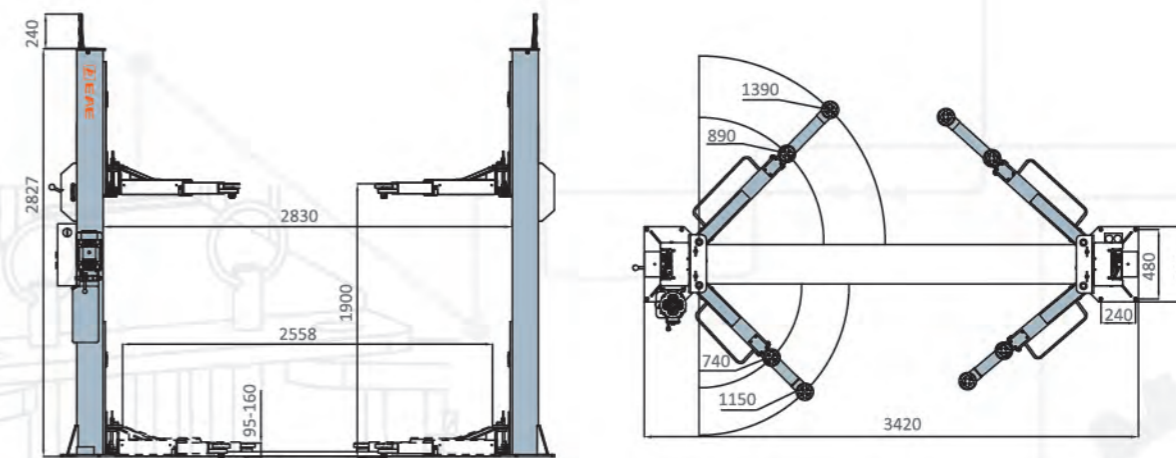


TWO POST LIFT



EE-F9M/F10M

OVERALL DIMENSION



TECHNICAL DATA

MODEL NO.	EE-F9M	EE-F10M
Lifting capacity	3500kg	4200kg
Max. lifting height	1900mm	1900mm
Min. height(C)	95mm-160mm	95mm-160mm
Lifting time	55S	55S
Capacity of motor	2.2kW	2.2kW
Overall Height	2827mm+240mm	2827mm+240mm
Drive through	2558mm	2558mm
Two stage rear long arm(A)	890-1390mm	890-1390mm
Two stage front shortarm(B)	740-1150mm	740-1150mm
Electricity supply	According To Customer Needs	

* Max. Lifting height is measured with adjustable screw pads in highest position.
 * Machine shown with optional equipment. Actual product appearance may differ.



Single Side Release

Door Protection Pads



Height Adapter

Round Screw-up Lifting Pad



24 Control Box



F SERIES

TWO POST LIFT

- Single side release for mechanical safety locking unit.
- Durable cylinders in each column carry with anti-surge valves.
- Standard door protection pads to prevent possible damage to the door opened without caution.
- Pre-fixed hydraulic pressure prevents overloading operation.
- Standard column curtain.
- 24V safe control system.



TWO POST LIFT

4000/5000KG
Lifting Capacity

2070MM
Max. Lifting Height
with Standard SUV Adapters

Asymmetric
30 degree column installation
for wider door opening



Wider Door Opening



EE-6214EKZ/6215EKZ

ASYMMETRIC CLEAR FLOOR LIFT

- Baseless design for easy movement of maintenance equipment under the raised vehicle.
- 30 degree of columns installation leaves more space for opening the door.
- Only 45 seconds raising time with optional quick motor to shorten your service time.
- The four triple stage arms combination accommodates a wide range of vehicles, from Smart to Sprinter, light van.
- Durable cylinders in each column carry with anti-surge valves.
- Screw-up lifting pads with clearance height less than 100mm.
- The arm locks engage and disengage automatically.
- With vehicle roof protection. The power system switches off when vehicle roof touches the rubber protected overhead bar.
- Aluminum motor avoids overheating and ensures long service life.
- Durable powder coating.
- Standard door protection pads to prevent possible damage to the door open without caution.
- Standard column curtain.
- Pre-fixed hydraulic pressure prevents overloading operation.
- ABS control box with rubber gasket sealing.
- CE certificated.



Strong Carriage and Arm Structure



Aluminum Motor



24 Control Box

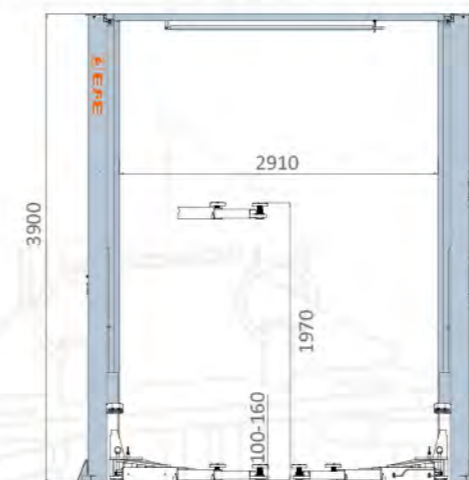


Height Adapter

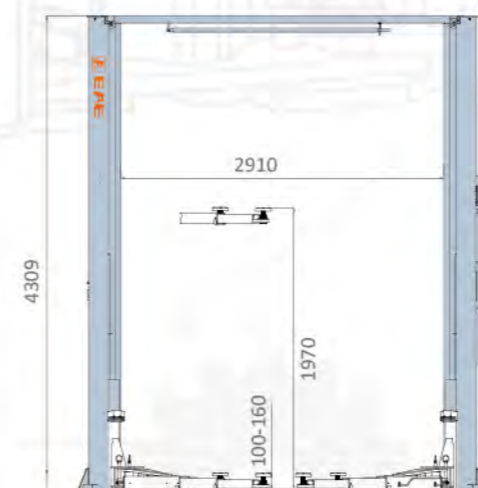
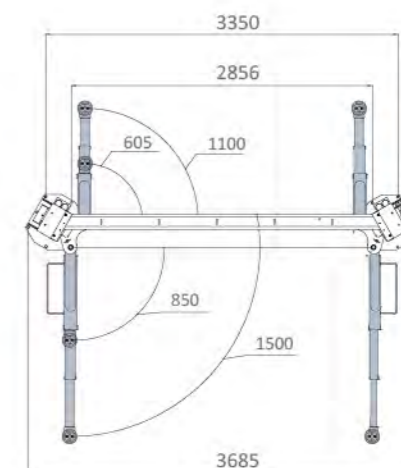


Asymmetric Arm

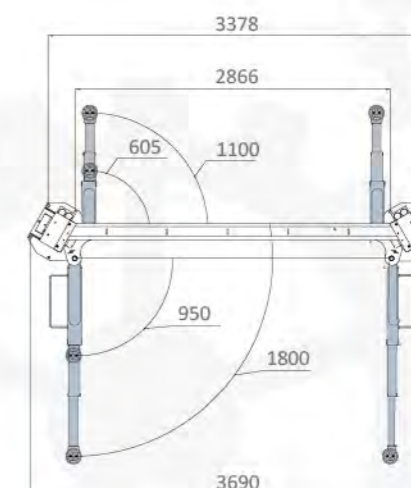
OVERALL DIMENSION



EE-6214EKZ



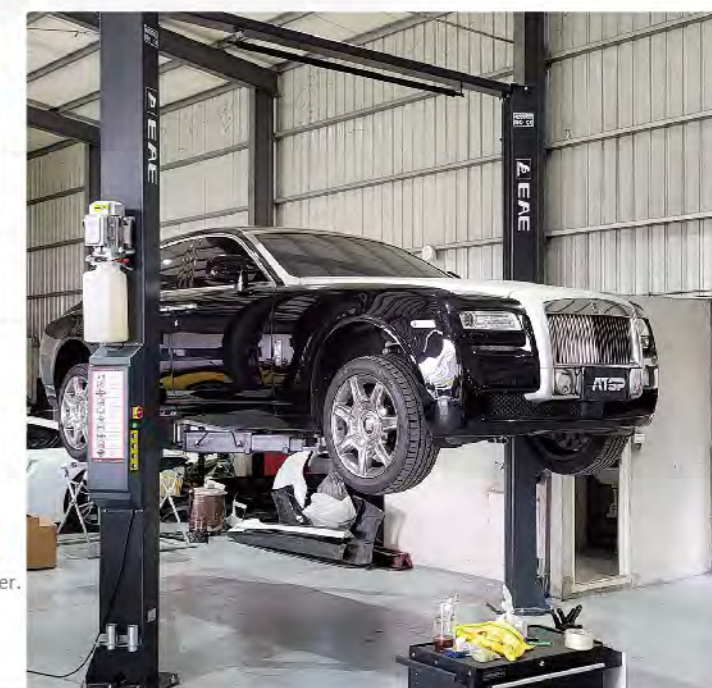
EE-6215EKZ



TECHNICAL DATA

MODEL NO.	EE-6214EKZ	EE-6215EKZ
Lifting capacity	4000kg	5000kg
Max. lifting height	1970mm	1970mm
Drive-through width	2500mm	2500mm
Lifting time	55S	55S
Motor	2.2kW	2.2kW/3.0kW
Weight	620kg	800kg
Electricity supply	According To Customer Needs	

* Max. Lifting height is measured with adjustable screw pads in highest position.
* Machine shown with optional equipment. Actual product appearance may differ.



5000KG
Max. Capacity

APS
Accurate Parking System
Technology By EAE

2000MM
Max. Lifting Height
with Standard SUV Adapters



Accurate Parking System

Abbreviated as APS, it enables to efficiently park the lifted vehicle at exact height which is necessary for chassis maintenance, transmission repair or changing. Without this APS system, it is hard and also time-consuming to park exactly as each time you lower the vehicle, the carriage of the lift will rise to release the mechanical safety catch. EAE has applied this SYSTEM to EE62 series, our new generation of two post lifts.



EE-62C 5.0T



EE-62B 5.0T



EE-62C 3.5T/4.2T

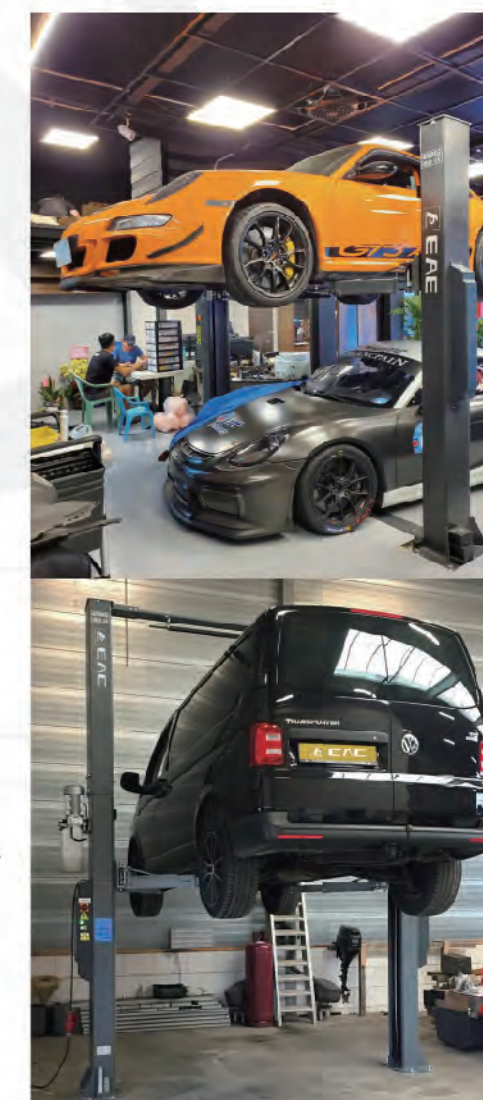


EE-62B 3.5T/4.2T

EE-62B/62C

TWO POST LIFT WITH APS TECHNOLOGY

- Base Plate type for low ceiling workshops and garages.(62B)
- Clear floor design for easy movement of maintenance equipment under the raised vehicle.(62C)
- With APS technology.
- 1900mm lifting height.
- 3500kg/4200kg/5000kg lifting capacity.
- Durable cylinders in each column carry with anti-surge valves.
- Screw-up lifting pads with clearance height less than 100mm.
- The arm locks engage and disengage automatically.
- Vehicle roof protective device. (62C series)
- Standard aluminum motor avoids overheating and ensures long service life.
- Durable powder coating.
- Standard door protection pads to prevent possible damage when open the door without caution.
- Standard column curtain.
- Pre-fixed hydraulic pressure prevents overloading operation.
- ABS control box with rubber gasket sealing.
- CE certificated.



TWO POST LIF



Swing Arm Lock



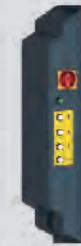
Strong Carriage and Arm Structure



4x100mm Casting Height Adapter



Chain(EE-62B)

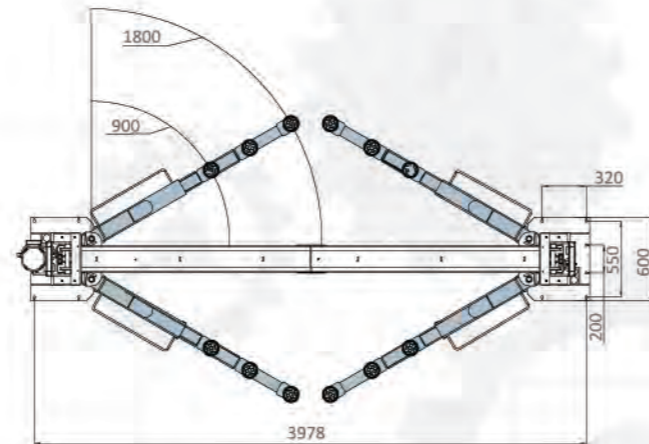
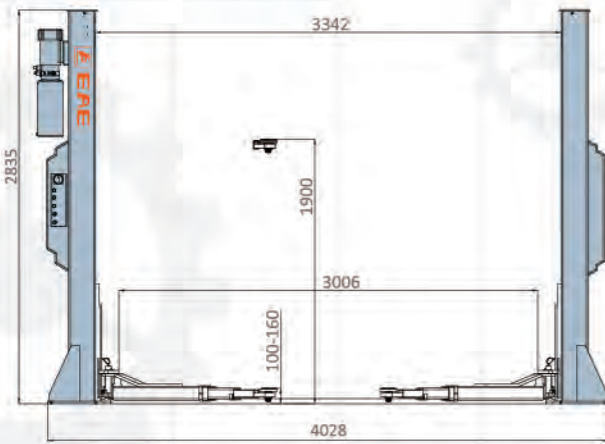


24V Control Box

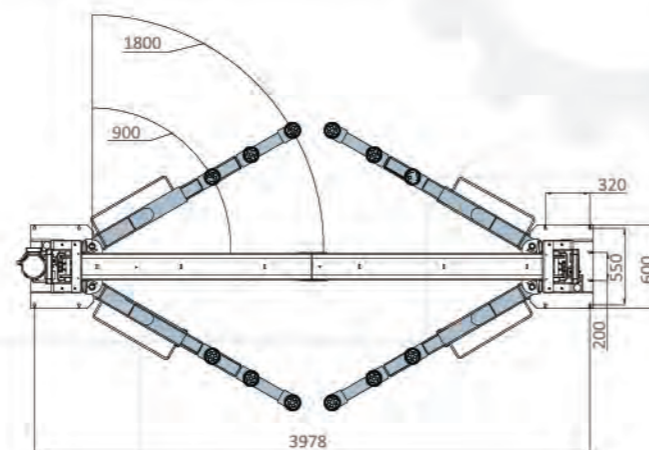
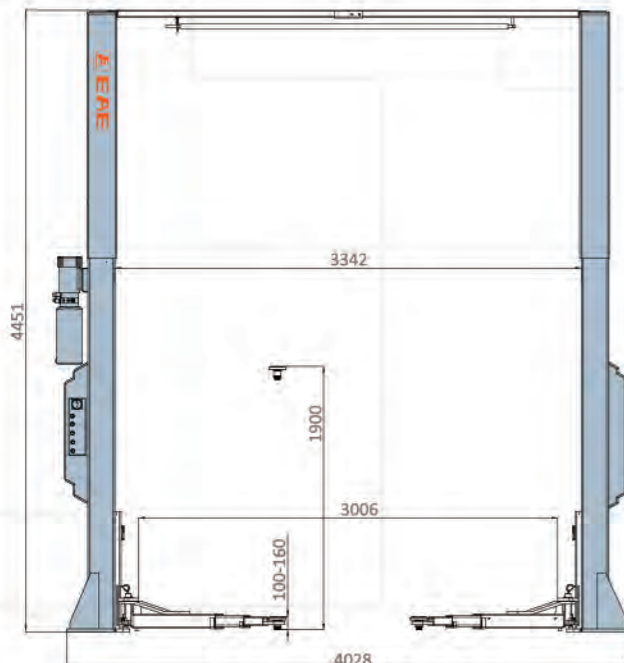


Round Screw-up Lifting Pad

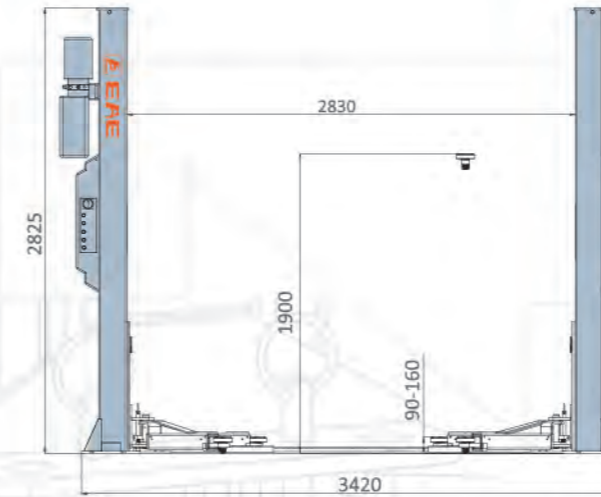
OVERALL DIMENSION



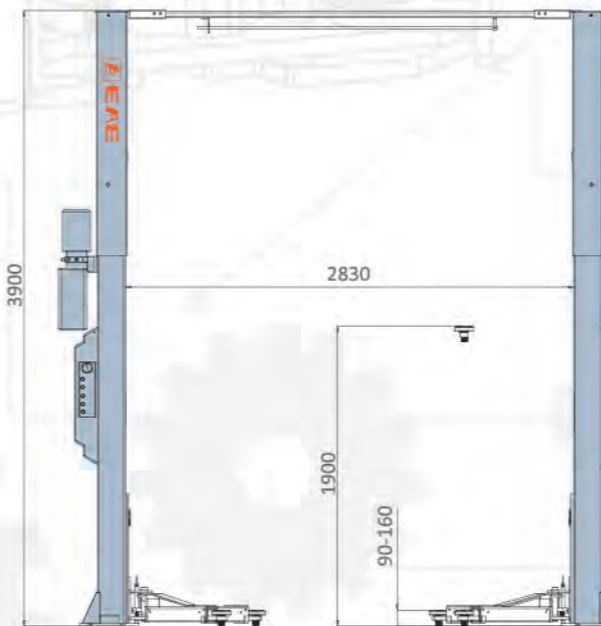
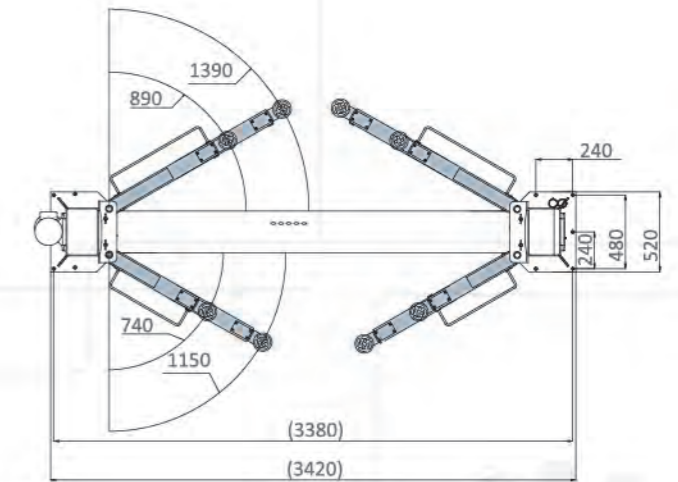
EE-62B 5.0T



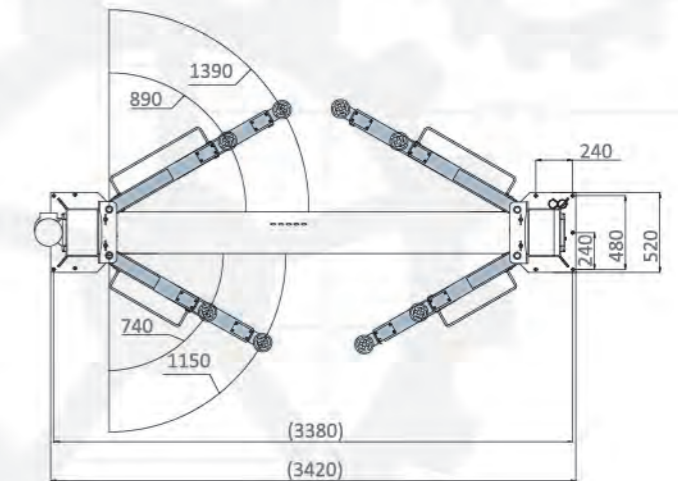
EE-62C 5.0T



EE-62B 3.5T/4.2T



EE-62C 3.5T/4.2T



TECHNICAL DATA

MODEL NO.	EE-62BE-35T/EE-62BE-42T	EE-62CE-35T/EE-62CE-42T	EE-62BE-50T	EE-62CE-50T
Structure Type	Baseplate	Clearfloor	Baseplate	Clearfloor
Locking Release	Down button	Down button	Down button	Down button
Lifting Capacity	3500kg/4200kg	3500kg/4200kg	5000kg	5000kg
Max Lifting Height	1900mm	1900mm	1900mm	1900mm
Overall Height	2825mm	3900mm	2835mm	4451mm
Minimum Height	90mm	90mm	100mm	100mm
Overall Width	3420mm	3420mm	4028mm	4028mm
Drive Thru Width	2500mm	2500mm	3006mm	3006mm
Inside Column	2830mm	2830mm	3342mm	3342mm
Two Stage Rear Long Arm	890-1390mm	890-1390mm	900-1800mm	900-1800mm
Two Stage Front Short Arm	740-1150mm	740-1150mm	/	/
Lifting Time	55S	55S	60S	60S
Motor	2.2kW/3.5kW			
Power Supply	Recommend Supply 110/220V/240V/380V/415V(1/3 Phase) According To Customer Needs			

* Max. Lifting height is measured with adjustable screw pads in highest position.
 * Machine shown with optional equipment. Actual product appearance may differ.



SERIES	C/F Series					G2 Series							
	C12E	C10M	C9M	F10M	F9M	62C	62B	62C	62B	62C	62B	6214EKZ	6215EKZ
MODEL NO.	C	C	C	B	B	C	B	C	B	C	B	C	C
STRUCTURE TYPE (B-Base plate C-Clear floor)													
Lifting Capacity (kg)	6000	4200	3500	4200	3500	3500/4200	3500/4200	3500/4200	3500/4200	5000	5000	4000	5000
CE CERTIFICATION	CE	CE	CE	CE	CE	CE	CE	CE	CE	CE	CE	CE	CE
LOCK RELEASE (E-Electrical M-Manual)	E	M	M	M	M	E	E	E	E	E	E	E	E
24V Control Box	•	•	•	•	•	•	•	•	•	•	•	•	•
APS (Accurate parking system)	•	•	•	•	•	•	•	•	•	•	•	•	•
Chain Protective Cloth	•	•	•	•	•	•	•	•	•	•	•	•	•
Feet protection Fender	•	•	•	•	•	•	•	•	•	•	•	•	•
Motor	2.2KW	2.2KW	2.2KW	2.2KW	2.2KW	2.2KW	2.2KW	2.2KW	2.2KW	2.2KW	2.2KW	2.2KW	2.2KW
100mm Standard Adapter	•	•	•	•	•	•	•	•	•	•	•	•	•
Two Stage Rear Long Arm (mm)	• 890-1390	• 890-1390	• 890-1390	• 890-1390	• 890-1390	• 890-1390	• 890-1390	• 890-1390	• 890-1390	• 850-1500	• 850-1800	• 605-1100	• 950-1100
Two Stage Front Short Arm (mm)	• 740-1150	• 740-1150	• 740-1150	• 740-1150	• 740-1150	• 740-1150	• 740-1150	• 740-1150	• 740-1150	• 930-1800	• 930-1800	• 605-1100/850-1800	• 1100/850-1800
Four Three Stage Arm (mm)	• 930-1800	•	•	•	•	• 740-1150	• 740-1150	• 740-1150	• 740-1150	• 930-1800	• 930-1800	• 2000-3000	• 2100-3800
Wheelbase range (mm)	2100-3800	2000-3000	2000-3000	2000-3000	2000-3000	2000-3000	2000-3000	2000-3000	2000-3000	2100-3800	2100-3800	2400	2400
Wheel base range (mm)	3000	2400	2400	2400	2400	2400	2400	2400	2400	3000	3000	2400	2400
Column style (S-Split column I-Integral column) Column installation S-Symmetry A-asymmetric	S	S	S	I	I	S	S	S	S	S	S	S	S
Overall Height (mm)	4451/5051	3900	3900	2827+240	2827+240	3900	2825	2825	2825	4451	2835	3900	4309
Max. Lifting Height (mm) (With adjustable screw pads in highest Min. Lifting Height (mm) (With adjustable screw pads in lowest Thin arm 85mm Min. Lifting Height	1900	1900	1900	1900	1900	1900	1900	1900	1900	1900	1900	1970	1970
Overall Width (mm)	4070	3590	3420	3420	3420	3420	3420	3420	3420	4028	4028	3690	3690
Inside Column (mm)	3342	3000	2830	2830	2830	2830	2830	2830	2830	3442	3442	2866	2866
Drive through (mm)	3025	2728	2558	2558	2558	2500	2500	2500	2500	3006	3006	2500	2500
Approx. lifting Time (s)	85s	55s	55s	55s	55s	55s	55s	55s	55s	60s	60s	55s	55s
Wheel support adapter	•	•	•	•	•	•	•	•	•	•	•	•	•
Rated oil pressure	20 Mpa												
Weight (kg)	1400	859	692	644	620	708	701	701	701	1009	964	620	800
Power supply	Recommend Supply 110/220/240/380/415V (1/3 Phase) According to Customer Needs												

• Standard • Optional

5000KG
Max. Capacity

5780MM
Max. Platform Length

User friendly
Electrical Lock Release (E version)



EE-6435B
(with an optional rolling jack)

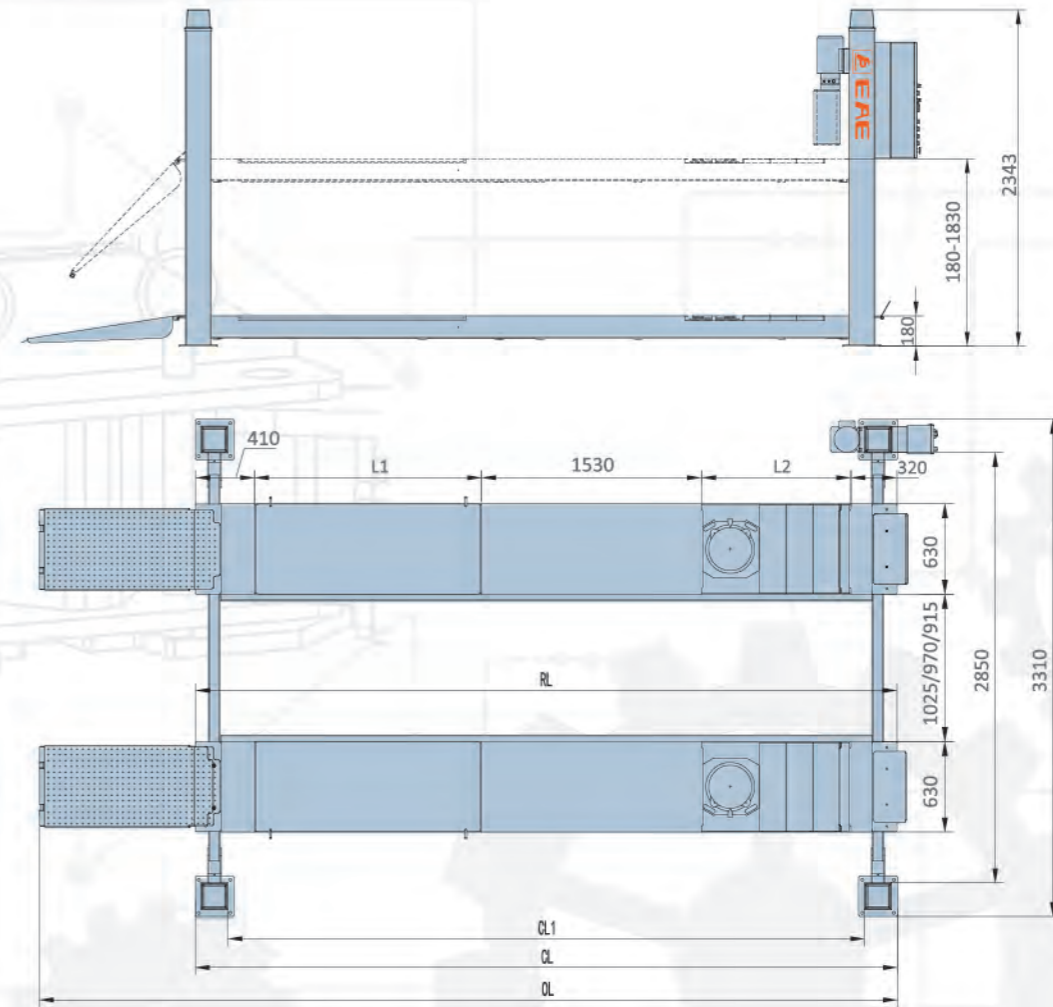


EE-6435

FOUR POST LIFT

- Reliable mechanical safety locking system.
- Avoid rapid descending cause by leakage of hydraulic system by applying FLOW-CONTROL technique to hydraulic system.
- Max. height switch limits the travel of runways and ensures cylinders work within the stroke.
- Protect against pinching and shearing using alarming buzzer in descending process.
- 24V safety control voltage.
- Reliable electrical release for easy and efficient use. (E version)
- Adjustable PD positions can accommodate different types of vehicle.
- Compact quick plug for electrical connection releases installers from too many wires and terminals and make initial installation much more efficient. Save more than 70% time on wire connection.
- Low profile runway is convenient for driving on and off and less demanding on space.
- The width between the platform can be ajust to 1025, 970, 915mm when installing.

OVERALL DIMENSION



- S Flat platforms
- B Platforms with front recesses and rear slip plates
- BPD Platforms with front recesses , play detector, and rear slip plates.



TECHNICAL DATA

Model No.	Lifting capacity	Max. lifting height	L1	L2	RL	CL1	CL	OL
6435S-48L	4000kg/5000kg	180-1830	N/A	N/A	4880	4438	4888	5948
6435S-52L					5280	4838	5288	6348
6435S-57L					5780	5338	5788	6848
6435B-48L	4000kg/5000kg	180-1830	1580	1040	4880	4438	4888	5948
6435B-52L			1980		5280	4838	5288	6348
6435B-57L			2480		5780	5338	5788	6848
6435BPD-48L	4000kg/5000kg	180-1830	1580	1040	4880	4438	4888	5948
6435BPD-52L			1980		5280	4838	5288	6348
6435BPD-57L			2480		5780	5338	5788	6848



Motor Housing

Oil Hose Protection

Optional Rolling Jacks

Solid and Robust Cable Pulleys

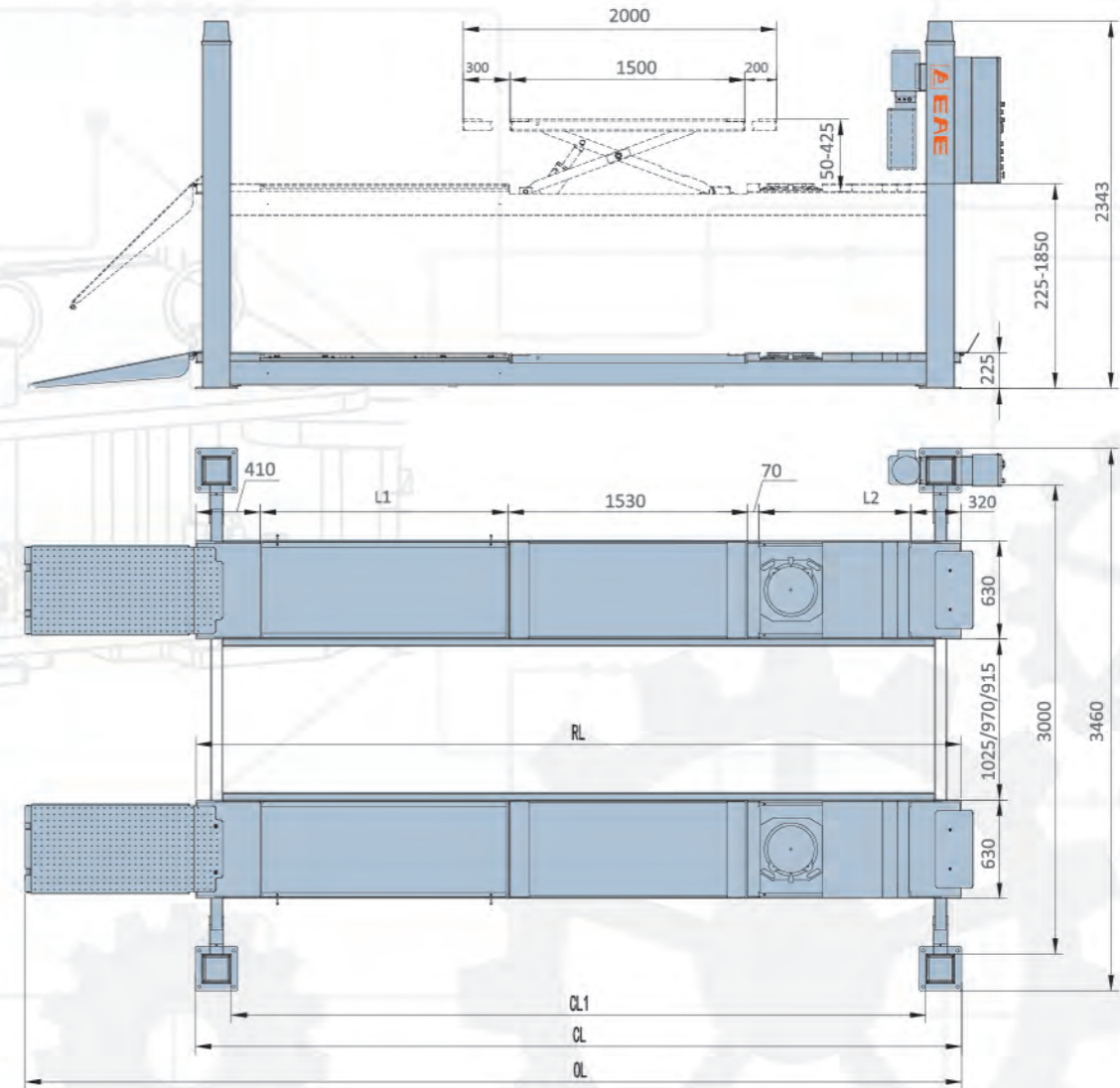
5000KG
Max. Capacity

3000MM
Between Columns for 3D Aligning

Wheel Free Lift
Standard 4000KG



OVERALL DIMENSION



FOUR POST LIFT



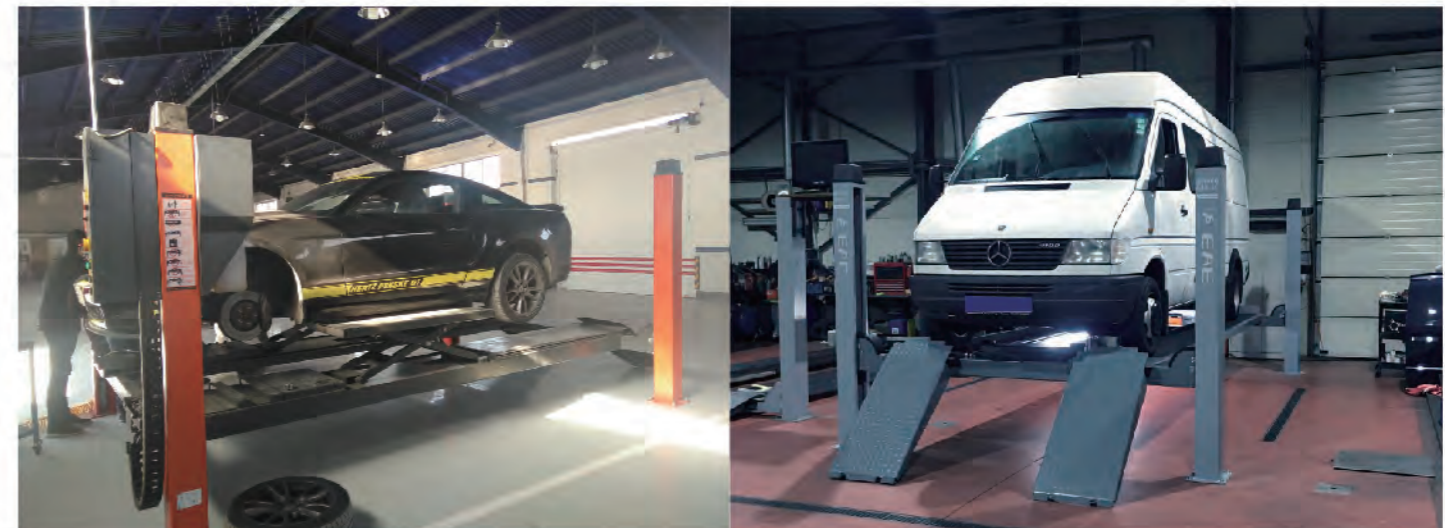
EE-6435BWF

FOUR POST LIFT

- 4000kg/5000kg lifting capacity.
- Built-in wheel free jack has a max capacity of 4000kg and is extendable in length.
- Long slip plate and adjustable turntable positions accommodate different kinds of wheelbases.
- Electrical release, just press UP and DOWN button to control the lift.
- Wide platforms for easier driving on and off.
- 3000mm distance between two columns compatible to 3D wheel aligner.
- The great planeness of runways is perfect for high accurate wheel aligning.
- Driving-on ramps with polymer rollers.
- Reserved tracks on platforms fit for optional rolling jacks.
- Low profile runway allows the vehicles drive on and off conveniently.
- 24V safe control system.
- Solid and robust cable pulleys.
- Self-lubricated bushing and bearing.
- Platforms non-synchronization alarming system.
- Safety device works immediately in case a cable slacks or fails.
- Alarm buzzer for safe descending.
- Aluminum motor with fan on top to avoid overheating caused by long time working.

TECHNICAL DATA

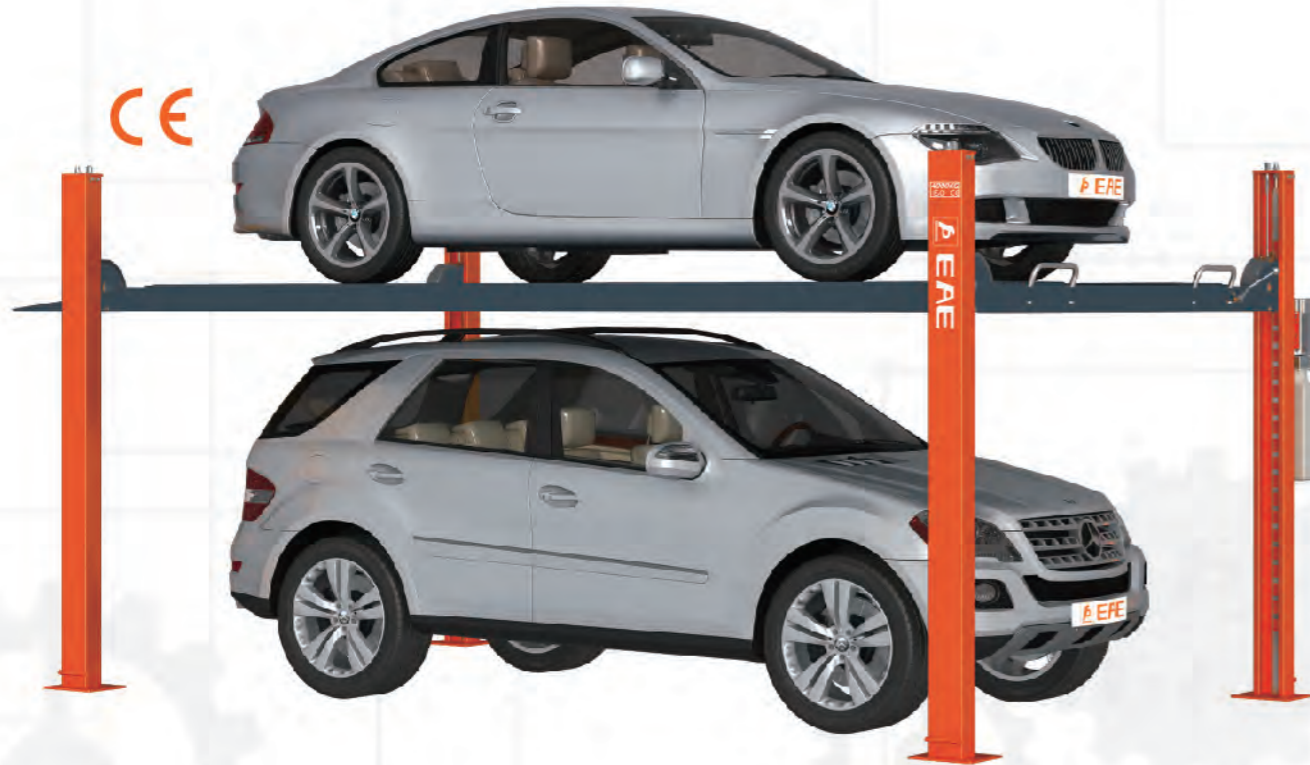
Model No.	Lifting capacity	Max. lifting height	L1	L2	RL	CL1	CL	OL
6435BWF-48L	4000kg/5000kg	1850	1580	970	4880	4438	4888	5970
6435BWF-52L			1980					
6435BWF-57L	5000kg		2280	1170	5780	5338	5788	6870



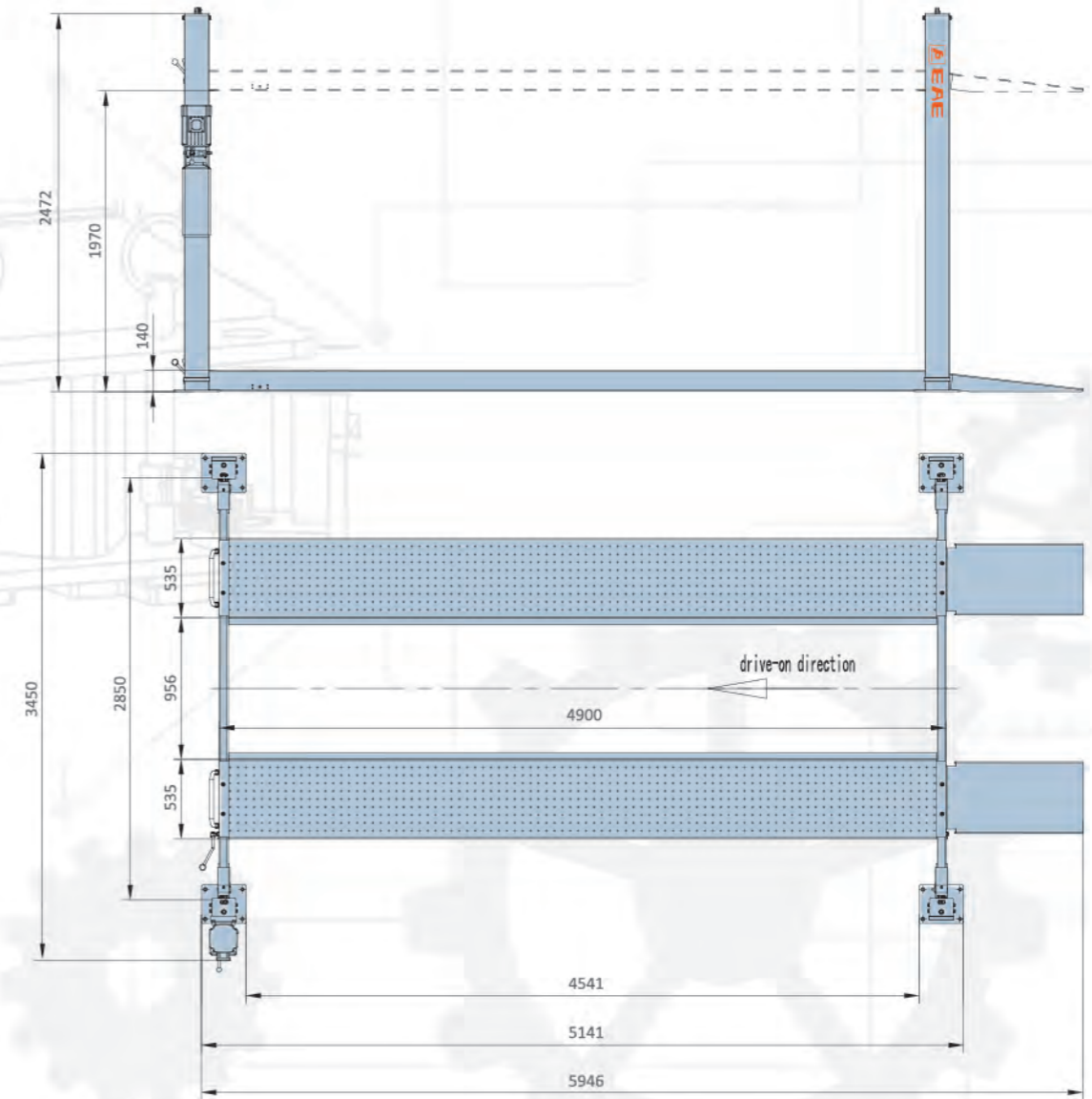
4000KG
Lifting Capacity

1970MM
Lifting Height

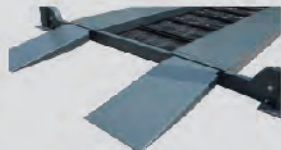
4900MM
Longer Runways



OVERALL DIMENSION



FOUR POST LIFT



Drive-On Ramp



Standard Oil Drip Pan



EE-6445P

PARKING LIFT

- 4000kg lifting weight, 1970mm lifting height, 4900mm runway length can meet your various parking needs for most of the passenger cars, SUVs or pickup trucks.
- Min. 140mm low profile runway which is essential for parking low chassis sports car.
- Simple but reliable design. User friendly, easy on-site installation and less demanding on foundation.
- Standard oil drip pan and jack tray.
- Optional mobile kits for easier removal and installation.
- Optional aluminum alloy decking make the parking area as a whole. Small vehicles like motorcycle, ATV, lawn mower can park on it.
- One side release for safety locks, easy for descent operation.
- Self-lubricating pulleys and pre-tensioned wire rope for extended service life.
- Mechanical locks automatically engaged into position in ascending process.
- Out of level protection, safe and reliable.

TECHNICAL DATA

MODEL NO.	EE-6445P
Lifting capacity	4,000kg
Max. lifting height	1,970mm
Min. height	140mm
Post height	2472mm
Lifting time	70S
Weight	1150kg
Ceiling height requirements	≥3800mm
Motor	2.2kW
Electricity supply	According To Customer Needs

* Machine shown with optional equipment. Actual product appearance may differ.



4000KG/5000KG
EE-6435BPD



Play Detector

Features of Automobile Suspension Steering System Clearance Tester

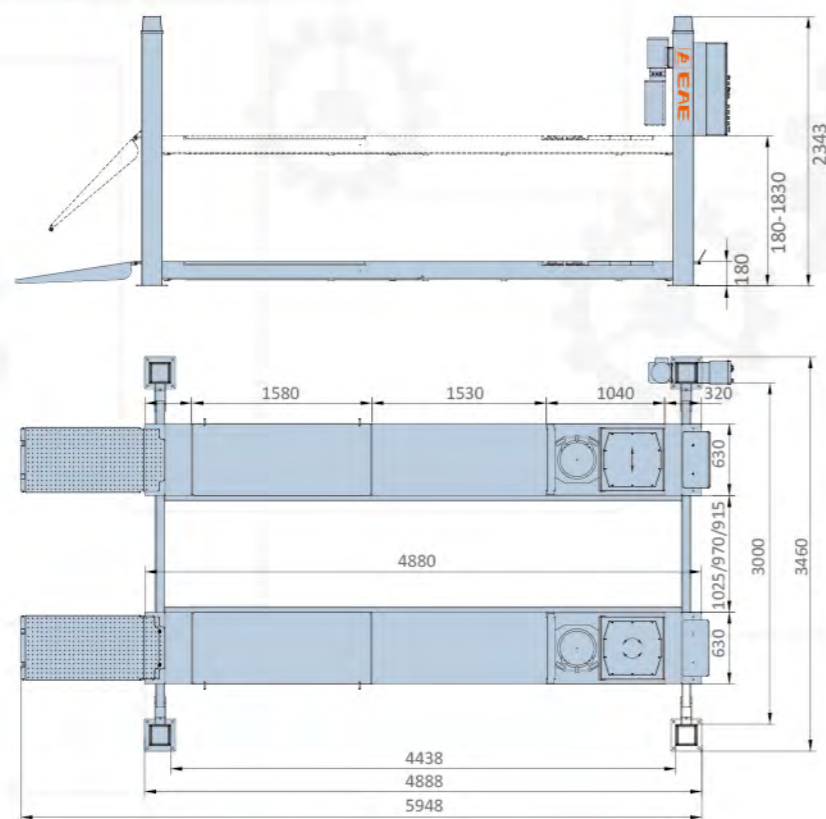
It is convenient to check parts fit clearance of automobile suspension steering system. Make sure the front or rear wheels on top of two test boards. Manipulate the two test boards by the switches on the handheld remote control, or the PD remote-control unit, move left and right or rotate. It can easily figure out the clearance of pull rod, ball head, steering arms, wheel bearing, etc.

High quality steel, high intensity body, good brand hydraulic spare parts, stable and reliable performance. The clearance tester adopts hydraulic drive. Deck plate can move smoothly under the action of hydraulic pressure, with great displacement force. Lighting and control switch on the handheld remote control, easy to control and observe.

This product is especially suitable for monitoring station, routine inspection station in car dealerships, repair shops, etc.



OVERALL DIMENSION

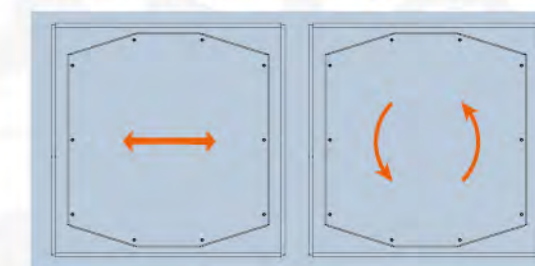


TECHNICAL DATA

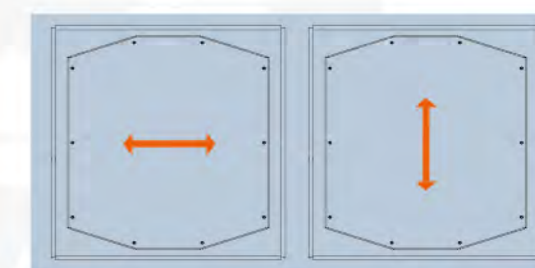
Model NO.	EE-PD	EE-PD8
Maximum axle weight	3000kg	3000kg
Maximum wheel weight	1500kg	2000kg
Maximum displacement	±35mm	±47.5mmx2
Dimensions platform (LxW)	630x630mm	630x630mm
Two Plates Inner Width x Outer Width	840/2120mm	935/2365mm
Maximum plate rotation	±14°	/
Motor	2.2kW	
Working Mode	Hydraulic Drive	
Electrical supply	According To Customer Needs	

* Machine shown with optional equipment. Actual product appearance may differ.

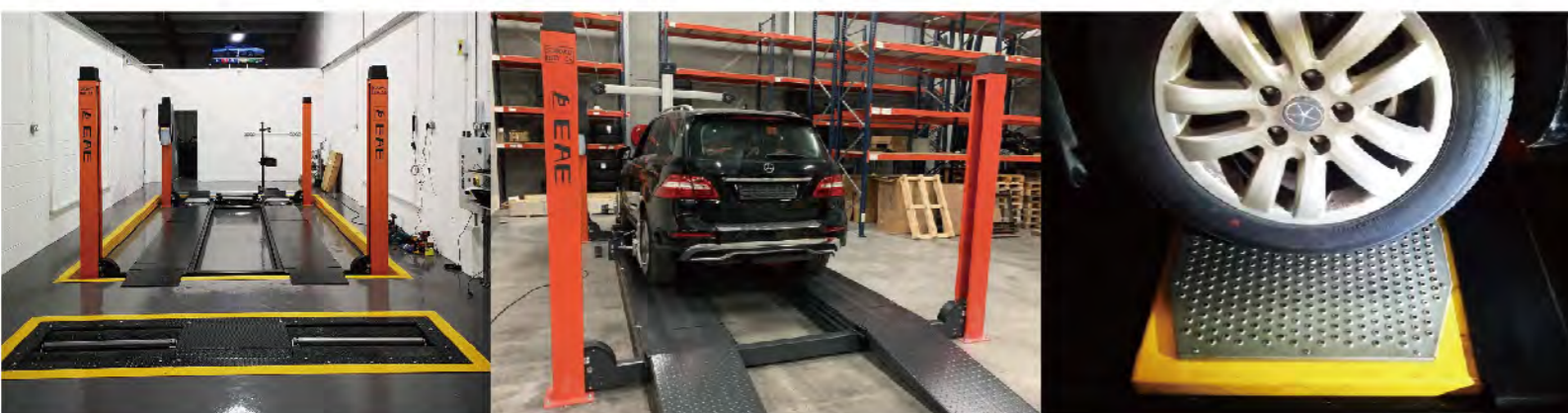
Move Route of Play Detector



PD



PD8



FOUR POST LIFT

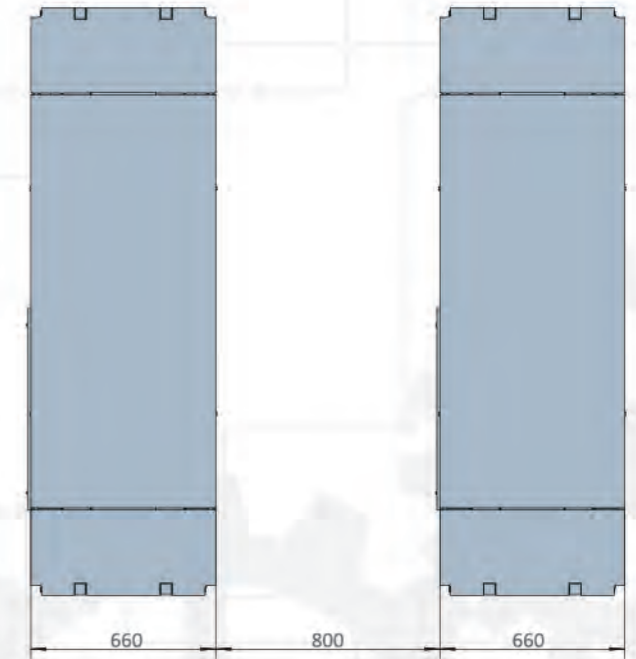
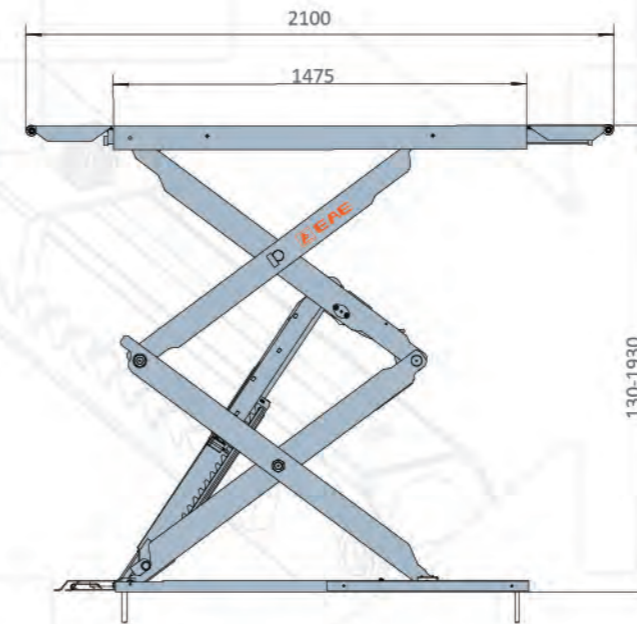
4000KG
Lifting Capacity

130MM
Drive-on Height

1930MM
Max. Lifting Height



OVERALL DIMENSION



Optional transition ramps for low chassis

TECHNICAL DATA

MODEL NO.	EE-65A-40T
Lifting capacity	4000kg
Max. lifting height	1930mm
Min. height	130mm
Lifting time	85S
Motor	2.2kW
Air supply	6-8bar
Platform width	660mm
Weight	1000kg
Electricity supply	According To Customer Needs

* Machine shown with optional equipment. Actual product appearance may differ.



In-ground installation.

EE-65A-40T

FULL RISE SCISSOR LIFT

- 4000kg lifting capacity.
- Above-ground or recessed installation.
- 130mm initial height.
- Four cylinder design.
- Pneumatic released safety locking system.
- Drive-on ramps lock into position as platform extensions.
- Steady raising and lowering, no noise when lowered to ground.
- Durable cylinders with anti-surge valves.
- 24V safe control system.
- Height limit switch.
- Powder coated finish.
- Self-lubricated bushing and bearing.
- Aluminum motor with fan on top to avoid overheating caused by long time working.
- It has been proofed by dynamic test with 115% of rated capacity and static test with 150% capacity.



Anti-abrasion Slider



Height Limit Switch



Mechanical Safety Lock



24v Safe Control System



Start-Up Plate



Four Cylinder Design

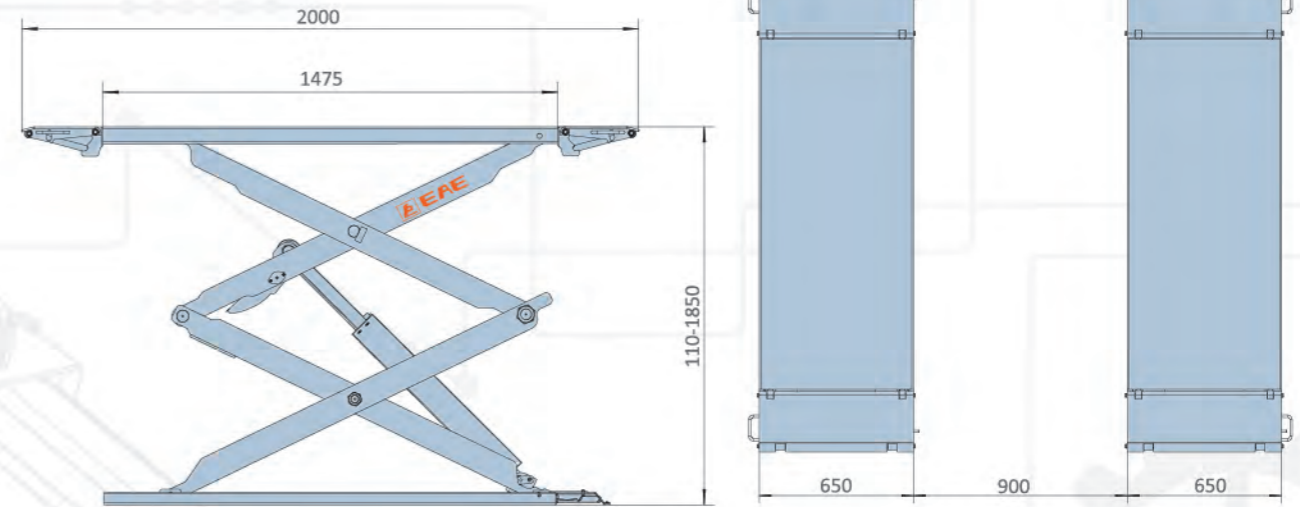
SCISSOR LIFT

110MM Drive-on Height | Curved Type Starting up plate | 1850MM Max. Lifting Height



Optional transition ramps for low chassis

OVERALL DIMENSION



SCISSOR LIFT

TECHNICAL DATA



EE-6501

FULL RISE SCISSOR LIFT

- 3000kg lifting capacity.
- Above-ground or recessed installation.
- 110mm initial height.
- Infrared synchronization protection system.
- Four cylinder design
- Pneumatic safety locking system
- Drive-on ramps lock into position as platform extensions.
- Steady raising and lowering, no noise when lowered to ground.
- Durable cylinders with anti-surge valves
- 24V safe control system.
- Height limit switch
- Powder coated finish
- Self-lubricated bushing and bearing.
- Aluminum motor with fan on top to avoid overheating caused by long time working.

MODEL NO.	EE-6501
Lifting capacity	3000kg
Max. lifting height	1850mm
Min. height	110mm
Lifting time	50S-60S
Motor	2.2kW/3.5kW
Air supply	6-8bar
Platform width	650mm
Weight	900kg
Electricity supply	According To Customer Needs

* Machine shown with optional equipment. Actual product appearance may differ.



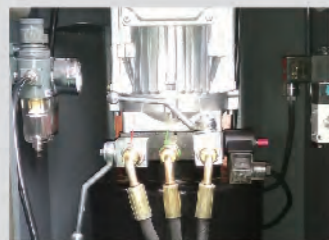
Mechanical Safety Lock



Drive-on Ramp & Platform Extension



Low Voltage Control Unit

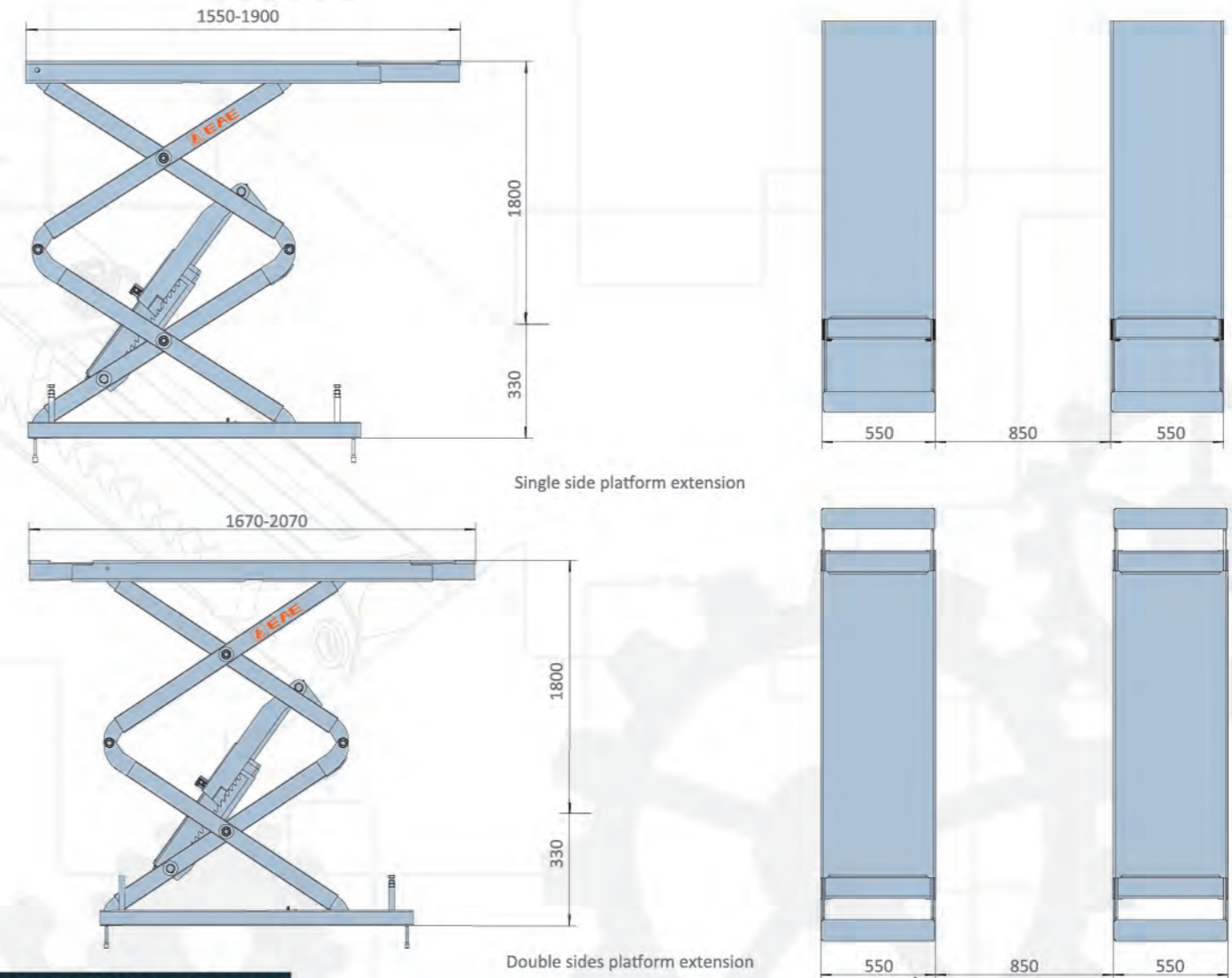


High Quality Ball Valve

3500KG | **Extendable Platform** | **ALS (OPTIONAL)**
 Lifting Capacity | One Side or Double Sides | Automatic leveling system



OVERALL DIMENSION



Cylinder Support



High Quality Ball Valve



Pneumatic Release Mechanical Lock



24v Safe Control System



EE-6503V2

FULL RISE SCISSOR LIFT

- 3500kg lifting capacity.
- Recessed installation.
- Infrared synchronization protection system.
- Pneumatic released safety locking system.
- Platforms can be extended for long vehicles.
- Durable cylinders with anti-surge valves.
- 24V safe control system.
- Height limit switch.
- Safety descent alarming buzzer.
- Powder coated finish.
- Self-lubricated bushing and bearing.
- Aluminum motor with fan on top to avoid overheating caused by long time working.

TECHNICAL DATA

MODEL NO.	EE-6503V2
Lifting capacity	3500kg
Max. lifting height	2130mm
Min. height	330mm
Lifting time	50S-60S
Motor	2.2kW/3.5kW
Air supply	6-8bar
Platform width	550mm
Weight	660kg
Electricity supply	According To Customer Needs

* Machine shown with optional equipment. Actual product appearance may differ.

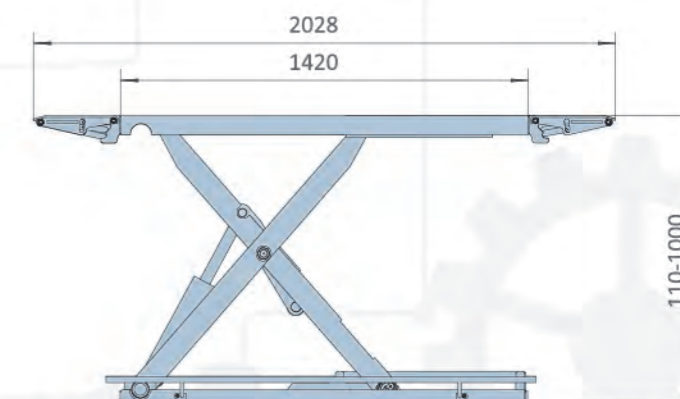
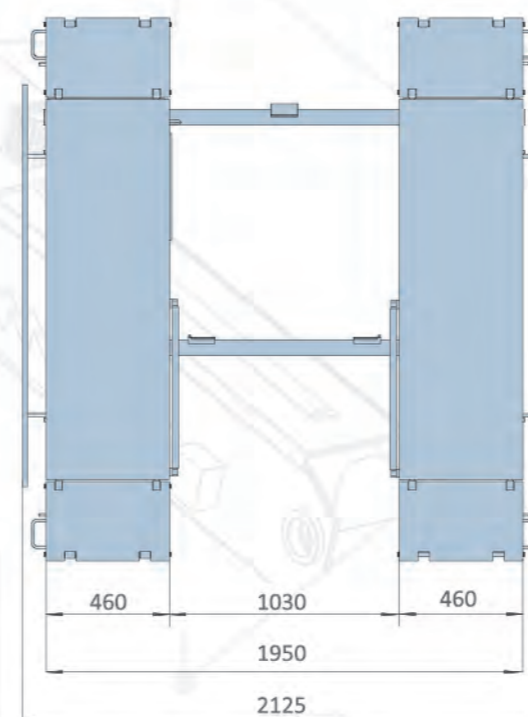


SCISSOR LIFT

3500KG | **110MM** | **Starting-Up Plate**
Lifting Capacity | Drive-on Height | for Easy Raising at Low Point



OVERALL DIMENSION



EE-MR35

MID RISE SCISSOR LIFT

- 3500kg lifting capacity.
- Ideal for tire service and narrow bays.
- Mobile or fixed mount design.
- Electrical released safety locking system.
- Durable cylinders with anti-surge valves.
- 24V safe control system.
- Height limit switch.
- Powder coated finish.
- Self-lubricated bushing and bearing.
- The safeguard against one end tilting allows car to drive from either side.
- Drive up ramps lock into position as platform extension for long vehicles.
- Optional mobile kit makes the lift move in your garage very easily.
- Aluminum motor with fan on top to avoid overheating caused by long time working.

TECHNICAL DATA

MODEL NO.	EE-MR35
Lifting capacity	3500kg
Max. lifting height	1000mm
Min. height	110mm
Lifting time	40S
Motor	2.2kW
Platform width	460mm
Weight	550kg
Electricity supply	According To Customer Needs

* Machine shown with optional equipment. Actual product appearance may differ.



SCISSOR LIFT

Low Voltage & Movable Control Unit

Start-Up plate

The safeguard against one end tilting allows car to drive from either side.

Drive-on ramps lock into position as platform extension for long vehicles.

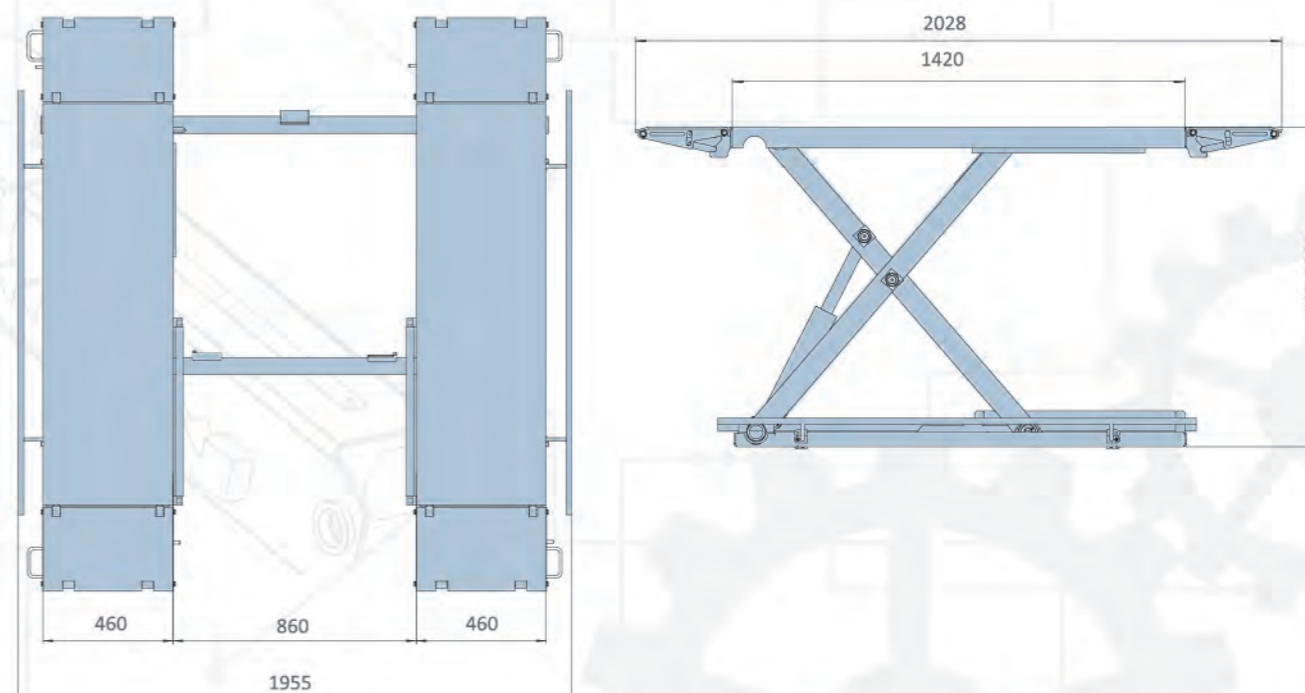
Mechanical Safety Lock

Optional mobile kit makes the lift move in your garage very easily.

3000KG | **105MM** | **Double Safety**
 Lifting Capacity | Drive-on Height | Hydraulic and Mechanical



OVERALL DIMENSION



EE-MR30

MID RISE SCISSOR LIFT

- Ideal for tire service and narrow bays.
- Mobile or fixed mount design.
- 3000kg lifting capacity.
- Electrical released safety locking system.
- Durable cylinders with anti-surge valves.
- 24V safe control system.
- Height limit switch.
- Powder coated finish.
- Self-lubricated bushing and bearing.
- The safeguard against one end tilting allows car to drive from either side.
- Drive up ramps lock into position as platform extension for longer vehicles.
- Optional mobile kit makes the lift move in your garage very easily.
- Aluminum motor with fan on top to avoid overheating caused by long time working.

TECHNICAL DATA

MODEL NO.	EE-MR30
Lifting capacity	3000kg
Max. lifting height	1000mm
Min. height	105mm
Lifting time	30S
Motor	2.2kW
Platform width	460mm
Weight	420kg+55kg
Electricity supply	According To Customer Needs

* Machine shown with optional equipment. Actual product appearance may differ.



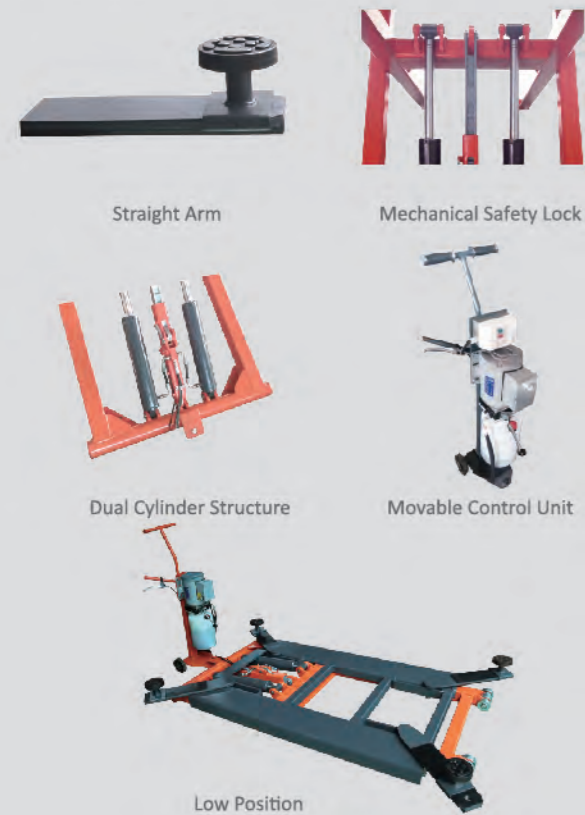
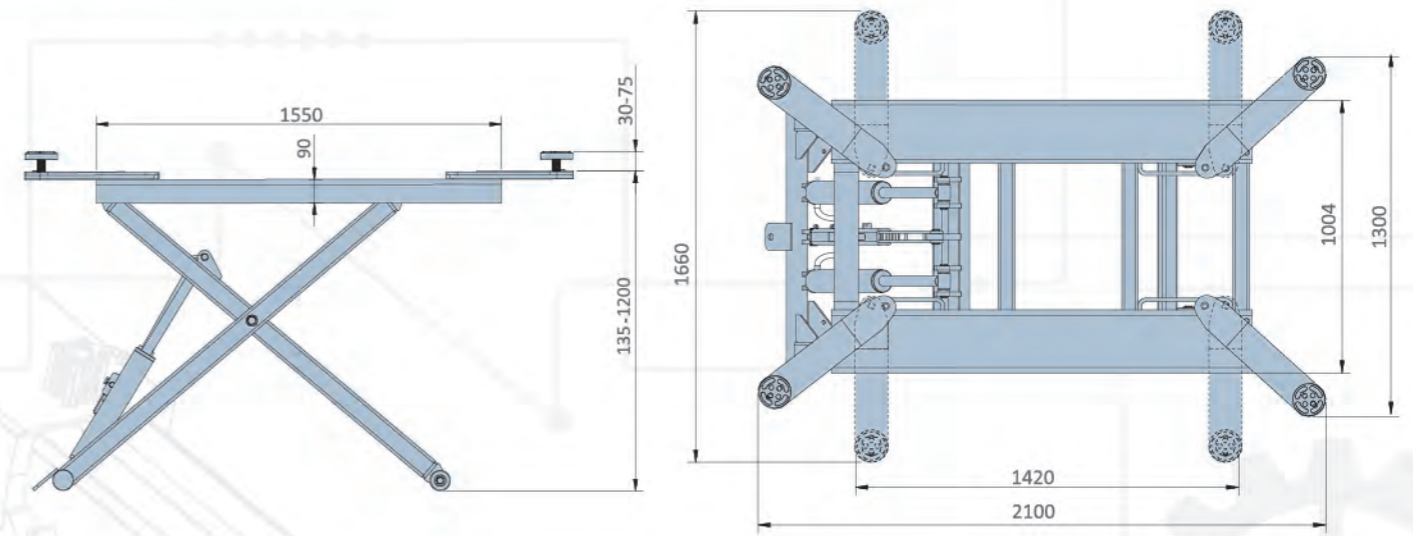
3000KG
Lifting Capacity

Movable
Easy to move

Double Safety
Hydraulic and Mechanical



OVERALL DIMENSION



EE-TS6600

MID RISE SCISSOR LIFT

- Manual safety lock release.
- Easy to move, Mobile design.
- Dual cylinder structure, ensure stable raising and lowering.
- Ideal for tire service and narrow bays.
- Powder coated finish.
- It has been proofed by dynamic test with 115% of rated capacity and static test with 150% capacity.



TECHNICAL DATA

MODEL NO.	EE-TS6600
Lifting capacity	3000kg
Max. lifting height	1200mm
Min. height	135mm+30mm
Lifting time	35S(3Ph)/55S(1Ph)
Motor	2.2kW
Weight	370kg+55kg
Electricity supply	According To Customer Needs

* Machine shown with optional equipment. Actual product appearance may differ.



SCISSOR LIFT

1200KG Lifting Capacity | **Hand-held button control** Convenient and Reliable | **Movable** Space Saving



New Energy Vehicle



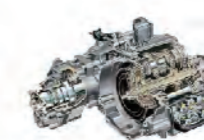
Battery Pack



Electric Engine



Engine



Gearbox



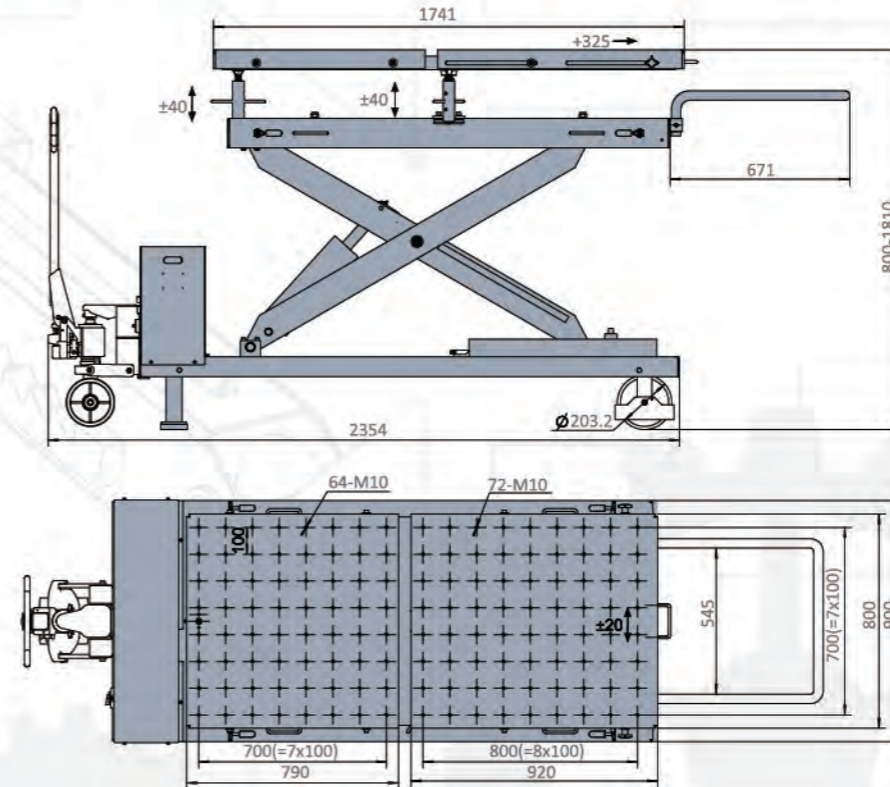
Drive Axle



Fuel Tank

Fuel Vehicle

OVERALL DIMENSION



EE-MS12M

HYDRAULIC MOBILE LIFTING TABLE

- It is helpful to assemble and disassemble battery packs for electric vehicles and engine, gearbox, drive axle, fuel tank, suspension, bracket and chassis components for traditional vehicles.
- A extension of 325mm in length. Fit large-sized loads.
- The suspend platform can tilt within a height of 40mm. The lower platform can move laterally within a distance of 20mm. This could meet multiple practical needs.
- Reserved holes (100mm x100mm) on the working table for positioning and fixing components with specialized fixtures.
- The lifting table also features a dual-speed system for fast and precise lifting.
- Maintain an ease and stable running and prolong the service time of shaft bearings.
- Oil hose with double steel wirefabrications, which has passed pressure test under 40MPa, can work under twice the nominal working pressure without breakage.
- Electrically released mechanical locking system.
- 24V Control System Three-pin plug.
- Hand-held button control with stop function.

TECHNICAL DATA

MODEL NO.	EE-MS12M
Max. capacity	1200kg
Max. height	1810mm
Min. Height	800mm
Platform length	1741mm+325mm
Platform width	900mm
Base to floor clearance	196mm
Self-weight	760kg
Frequency	50Hz
Voltage	220V
Control voltage	24V
Full stroke time	45S-60S

* Machine shown with optional equipment. Actual product appearance may differ.



Reserved holes (100mm x100mm)



A max of 310mm extension in length.



Hand-held button control with stop function.



A dual-speed system for fast and precise lifting



SCISSOR LIFT

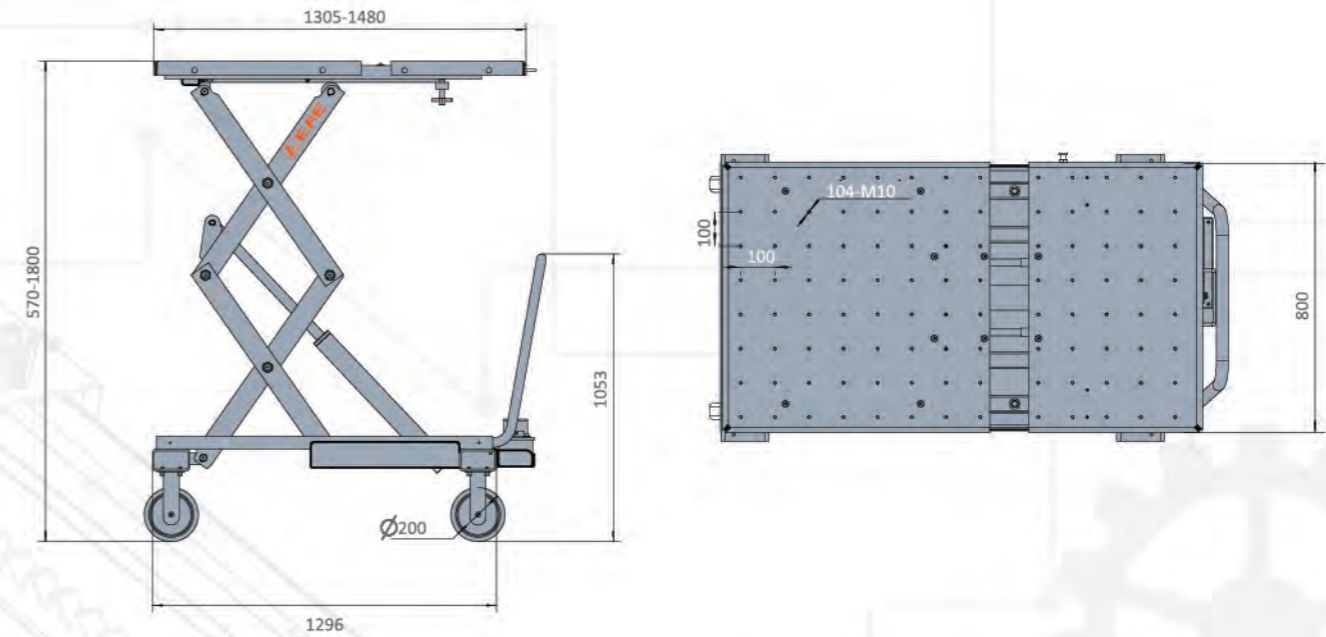
1000KG
Lifting Capacity

Pneumatic Driven
Hydraulic Pump

Movable
Space Saving



OVERALL DIMENSION



TECHNICAL DATA

MODEL NO.	EE-MS10
Rated Capacity	1000kg
Full rise height	1800mm
Initial height	570mm
Air supply pressure	6-8bar
Full rise time	110S
Platform Width	790mm
Platform Length	1305mm-1480mm

* Machine shown with optional equipment. Actual product appearance may differ.

EE-MS10

MOBILE LIFTING TABLE

- Designed for dismantling and fixing battery packs of electric vehicles as well as engine, gearbox, drive axle, fuel tank, suspension, bracket and chassis components of traditional vehicles.
- Control and power by foot activated pneumatic driven hydraulic pump.
- The working table can be tilted by adjusting two independent screws attached with T shape handle.
- The working table can be extended to 1480mm in length for more applications.
- Reserved holes (100mmx100mm) on the working table for positioning and fixing components with specialized fixtures.
- Four heavy-duty and abrasion-resisting casters can steer and move easily and brake effectively.
- Optional non-slip rubber pad to increase friction and avoid clashing with the battery packs.
- Hydraulic cylinder and seal rings with high quality. Overload dynamic test under 115% of the rated capacity.
- Larger base frame ensures better stability and reliability.
- Reserved holes at both sides of the working table for fixing loads with proper straps.
- Power-coating surface ensure long time use without peeling off.

The working table can be extended to 1480mm in length for more applications.

Control and power by foot activated pneumatic driven hydraulic pump.

Four heavy-duty and abrasion-resisting casters can steer and move easily and brake effectively.

SCISSOR LIFT

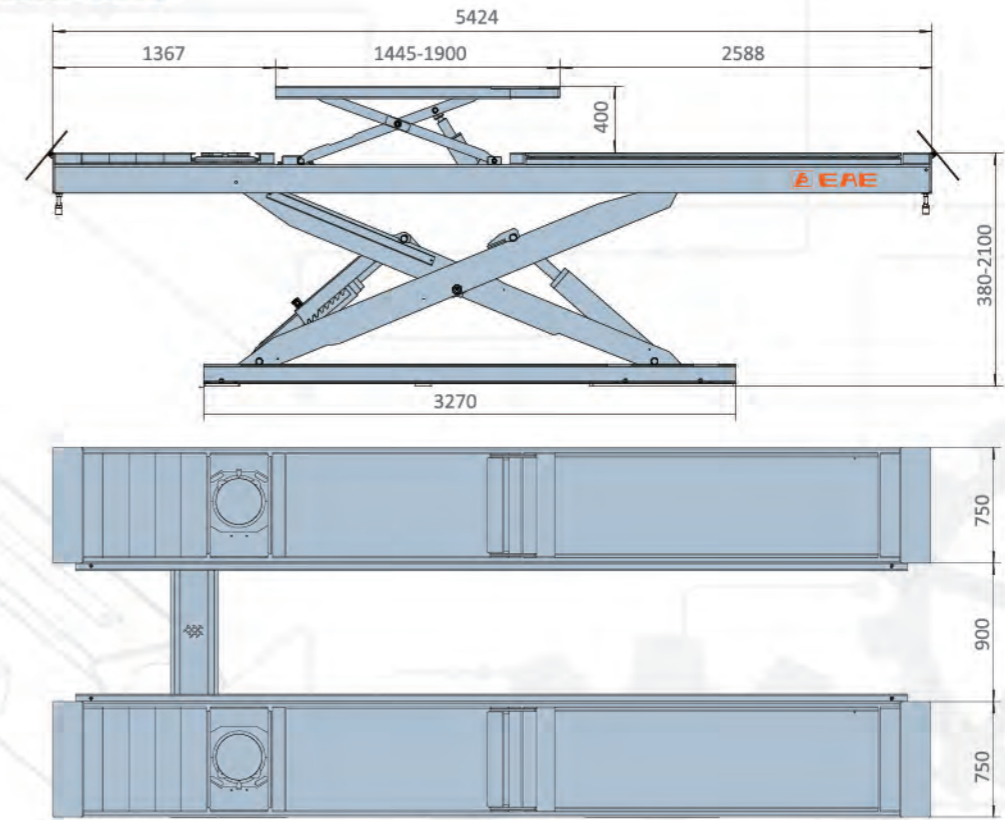


6000KG | **5424MM** | **All Versions**
 Lifting Capacity | Long Platform | S, B, BWF Platforms

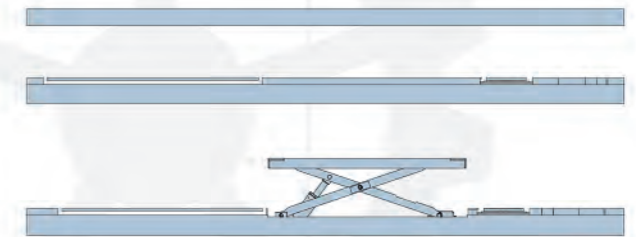


Optional ramps for on-ground installation

OVERALL DIMENSION



- S Flat platforms
- B Platforms with front recesses and rear slip plates
- BWF Platforms with front recesses, rear slip plates, and wheel free lifts



TECHNICAL DATA

MODEL NO.	EE-HX6
Lifting capacity	6000kg
Max. lifting height	2100mm
Min. height	380mm
Lifting time	72S
Motor	2.2kWx2
Air supply	6-8bar
Platform width	750mm
Weight	4800kg(BWF)
Electricity supply	According To Customer Needs

* Machine shown with optional equipment. Actual product appearance may differ.



EE-HX6
LONG PLATFORM SCISSOR LIFT

- 6000kg lifting capacity.
- Infrared synchronization protection system.
- The great planeness of runways is perfect for high accuracy wheel aligning.
- Long slip plate and adjustable turntable positions accommodate different kinds of wheelbases.
- Pneumatic released safety locking system.
- 24V safe control system.
- Self-lubricated bushing and bearing.
- Safety descent alarming buzzer.
- Aluminum motor with fan on top to avoid overheating caused by long time working.
- It has been proofed by dynamic test with 115% of rated capacity and static test with 150% capacity.



Anti-abrasion Slider



LED Lighting System



Mechanical Safety Lock



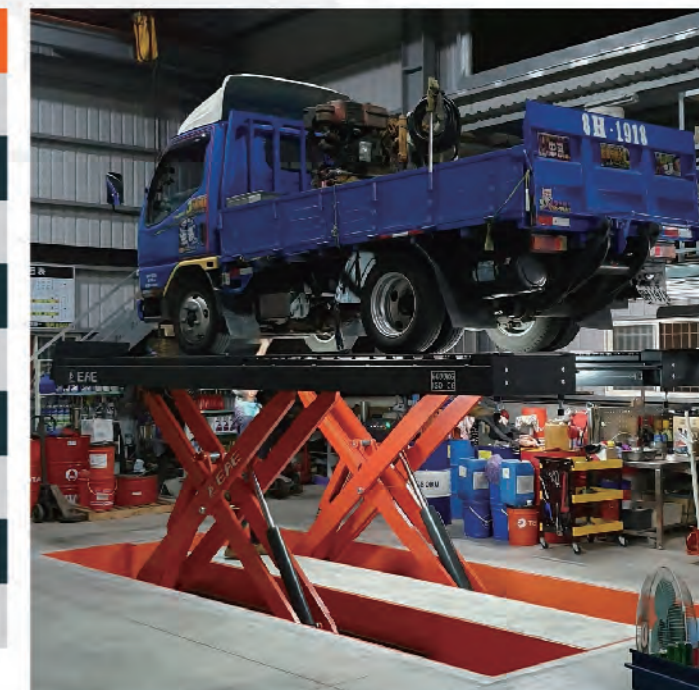
Pneumatic Rear Side Slip



Wheel Free Lift
(4000kg)



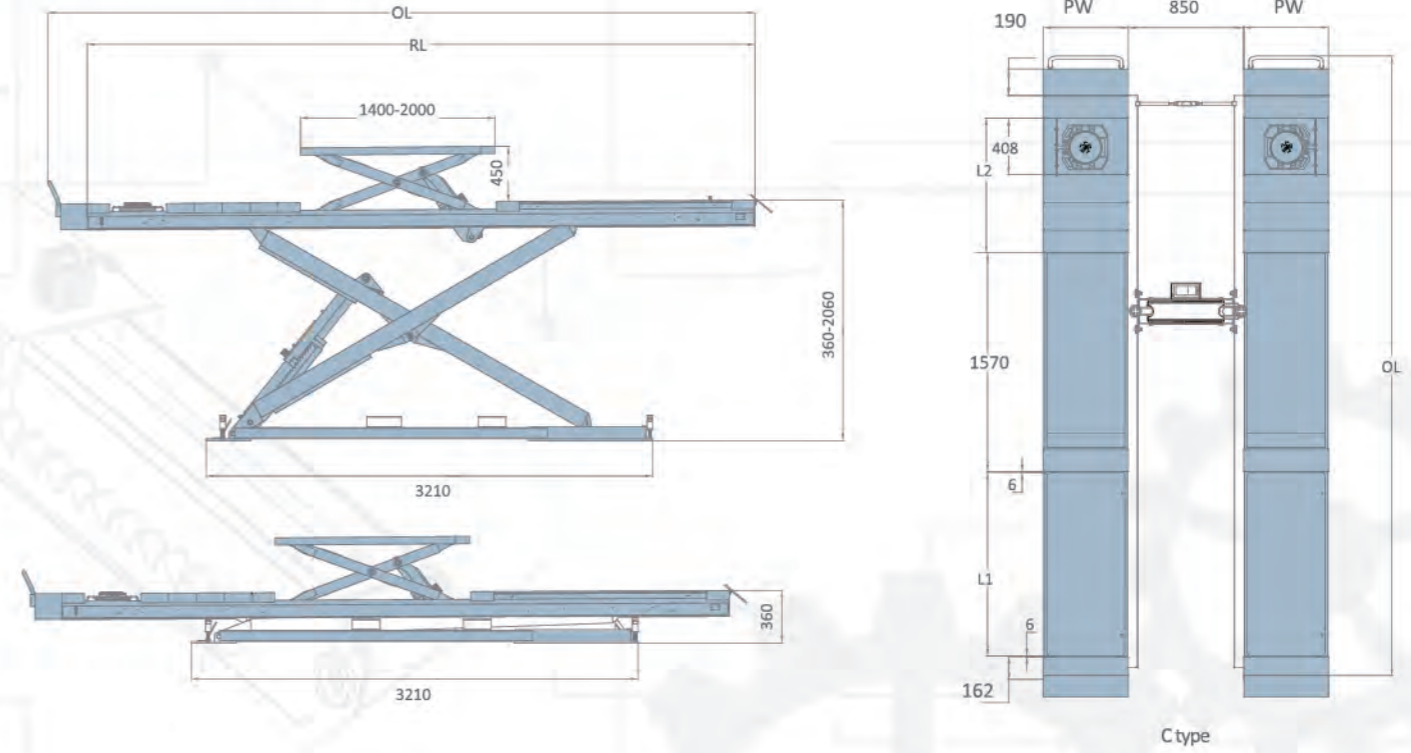
Long slip plate and adjustable turntable positions accommodate different size of wheelbases.



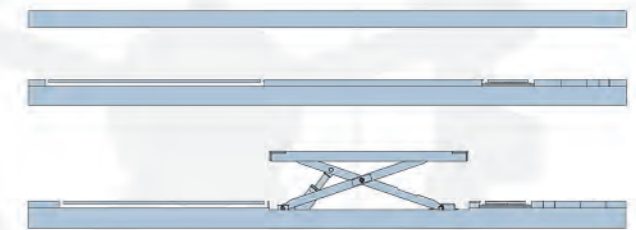
5000KG | **5100MM** | **ALS (OPTIONAL)**
 Max. Capacity | Max. Platform Length | Manual levelling or automatic leveling system



OVERALL DIMENSION



- S Flat platforms
- B Platforms with front recesses and rear slip plates
- BWF Platforms with front recesses rear slip plates, and wheel free lifts



Wheel Free Lift (3500kg)



Pneumatic Release System



Slip Plate



Mechanical Lock



EE-6603

ALIGNMENT SCISSOR LIFT

- 4200kg/5000kg lifting capacity.
- Manual leveling(Automatic Leveling System or electrical leveling available).
- Infrared synchronization protection system.
- In-ground installation or above-ground installation with optional drive-on ramps.
- Long slip plate and adjustable turntable positions accommodate different sizes of wheelbases.
- Pneumatic safety locking system.
- The great planeness of runways is perfect for high accuracy wheel aligning.
- Driving-on ramps with polymer rollers.
- Reserved tracks on platforms fit for optional rolling jacks.(C Type)
- 24V safe control system.
- Self-lubricated bushing and bearing.
- Safety descent alarming buzzer.
- Aluminum motor with fan on top to avoid overheating caused by long time working.

TECHNICAL DATA

Model No.	Lifting capacity	PW	RL	OL	L1	L2
EE-6603S-48L(C)	4200kg	610	4800	5042	N/A	N/A
EE-6603S-51L(C)	5000kg	610	5100	5342	N/A	N/A
EE-6603B-48L(C)	4200kg	610	4800	5042	1520	1370
EE-6603B-51L(C)	5000kg	610	5100	5342	1520	1570
EE-6603BWF-48L(C)	4200kg	610	4800	5042	1520	1370
EE-6603BWF-51L(C)	5000kg	610	5100	5342	1520	1570

* Machine shown with optional equipment. Actual product appearance may differ.

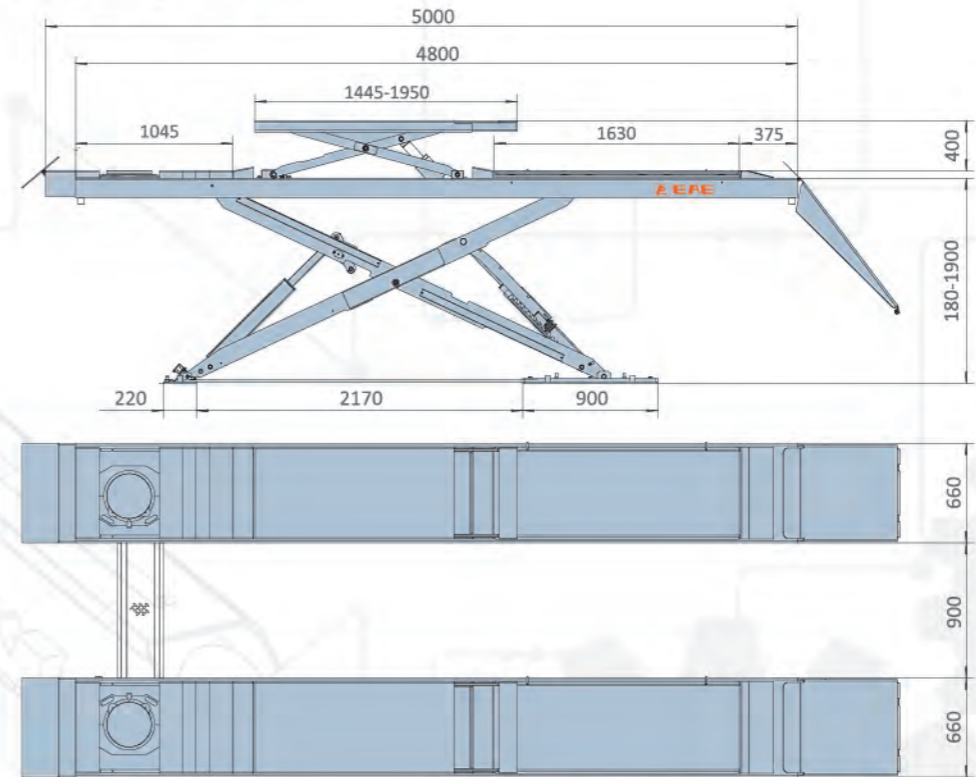


4000KG | **180MM** | **Surface Installation**
 Lifting Capacity | Drive-on Height | No More Concrete Work, Ramps Included

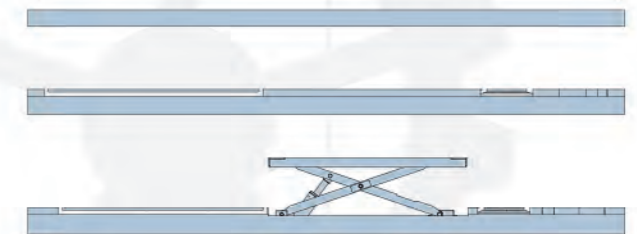


CE EE-6604.BWF

OVERALL DIMENSION



- S Flat platforms
- B Platforms with front recesses and rear slip plates
- BWF Platforms with front recesses, rear slip plates, and wheel free lifts



EE-6604

LOW PROFILE SCISSOR LIFT

- 4000kg lifting capacity.
- Above-ground installation.
- Low profile runway demands less space.
- Infrared synchronization protection system.
- The great planeness of runways is perfect for high accuracy wheel aligning.
- Long slip plate and adjustable turntable positions accommodate different sizes of wheelbases.
- Reserved tracks on platforms fit for optional rolling jacks.(exclude type BWF)
- Pneumatic safety locking system
- 24V safe control system.
- Self-lubricated bushing and bearing.
- Safety descent alarming buzzer.
- Aluminum motor with fan on top to avoid overheating caused by long time working.

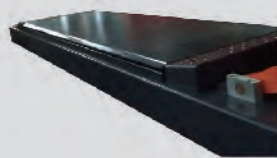
TECHNICAL DATA

MODEL NO.	EE-6604
Lifting capacity	4000kg
Max. lifting height	1900mm
Min. height	180mm
Lifting time	62S
Motor	3.5kW/3ph, 2.2kW/1ph
Air supply	6-8bar
Platform width	660mm
Weight	3260kg(BWF)
Electricity supply	According To Customer Needs

* Machine shown with optional equipment. Actual product appearance may differ.



Turntable (Optional)



Rear side slip



Anti-abrasion Slider



Drive-on Ramp



Pneumatic Release Mechanical Lock



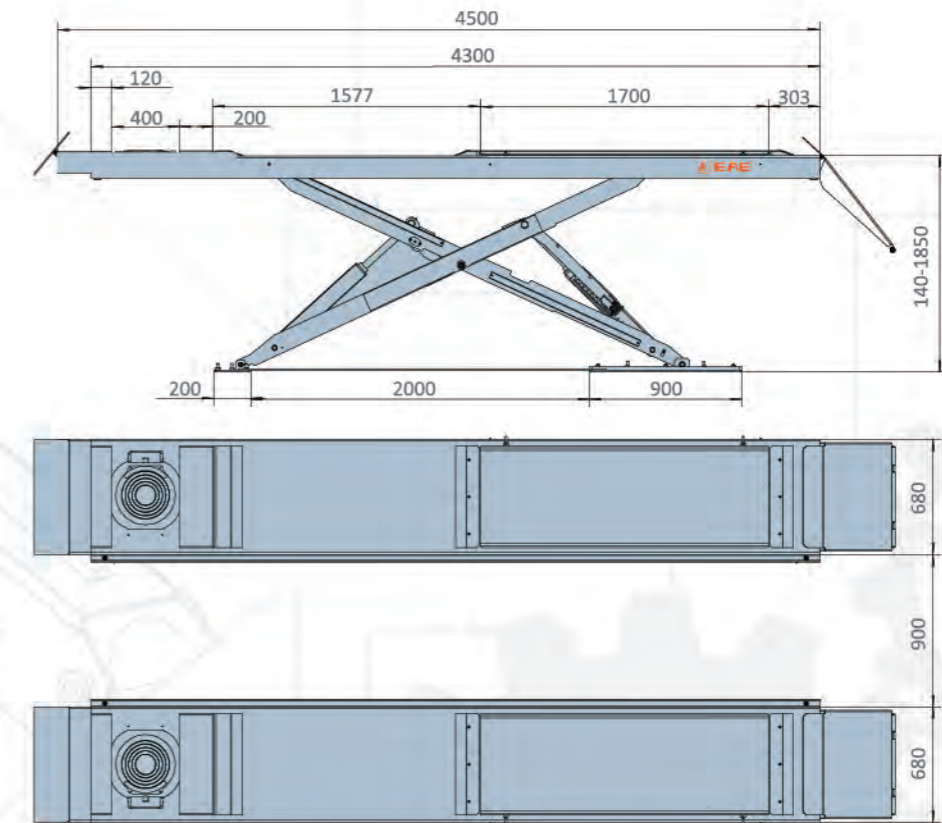
Wheel Free Lift (BWF) (4000KG)

3500KG | **140MM** | **Add-On**
 Lifting Capacity | Drive-on Height | Wheel Alignment runway kit (B type)



EE-LX35B
(with optional rolling jacks)

OVERALL DIMENSION



EE-LX35

LOW PROFILE SCISSOR LIFT

- Six-Cylinder mechanical structure. Reliable mechanical locking system protects against rapture of hydraulic circuit and ensure better mechanical balance when it is engaged.
- Avoid rapid descending cause by leakage of hydraulic system by applying FLOW-CONTROL technique to hydraulic system.
- Max height switch limits the travel of runways and ensures cylinders work within the stroke.
- Protect against pinching and shearing using alarming buzzer in descending process.
- 24V safety control voltage.
- Low profile runway design is less demanding on space and suitable for surface installation in basement and other place where it is forbidden to dig pit.
- Flat and smooth runway (type S) is better for quick body checking service.
- Aluminum motor avoids overheating.
- Reserved tracks for optional jacks.
- Modular design meets various practical needs. It is possible to extend S runway to B runway with extra accessories.

TECHNICAL DATA

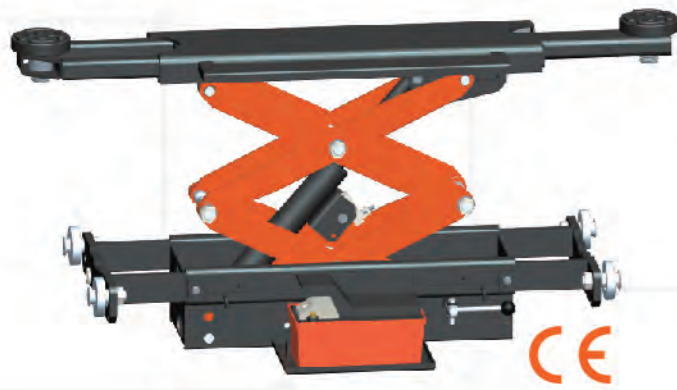
MODEL NO.	EE-LX35
Lifting capacity	3500kg
Max. lifting height	1850mm
Min. height	140mm
Motor	2.2kW/1ph, 3.5kW/3ph(S/B), 2.2kW+3.5kW (A.PD)
Platform width	680mm
Air supply	6-8bar
Lifting time	55S(3.5kw)
Weight	2200kg
Electricity supply	According To Customer Needs

* Machine shown with optional equipment. Actual product appearance may differ.



Low profile runway, 140mm initial drive-on height

**3000KG
EE-CJ**



**3000KG
EE-SCJ(B)**



MAIN FEATURES

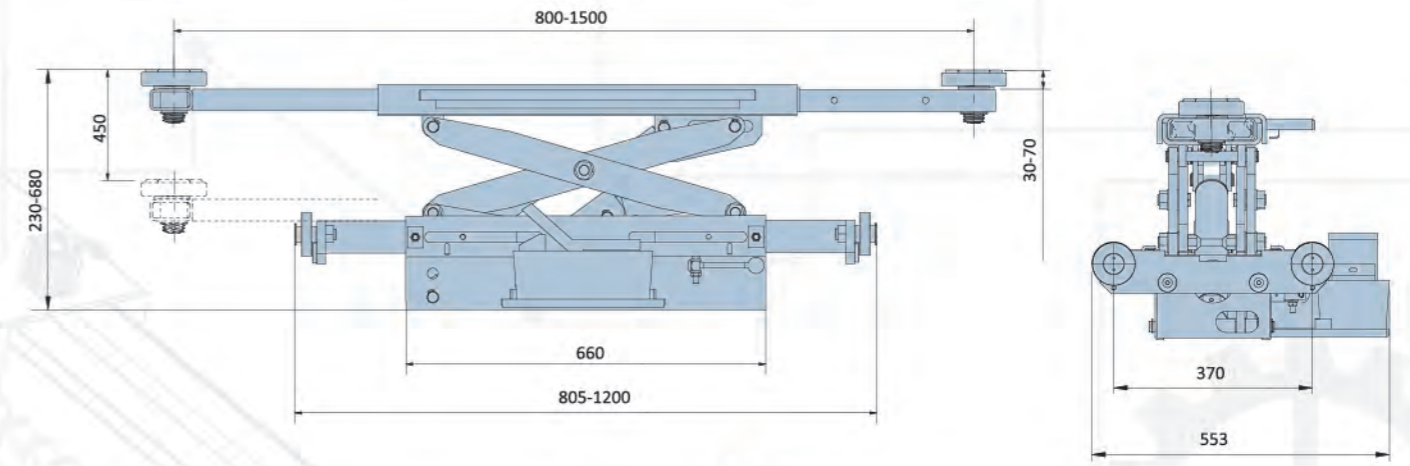
- Durable and compact scissor carrying structure.
- Adjustable width between support wheels to fit different widths between runways.
- Extendable jacking beam for various wheelbases.
- With manual release mechanical safety locking unit.
- Steel-made sliding rolls with ball-bearings move easily and smoothly on the track.
- Manual or pneumatic drive.

TECHNICAL DATA

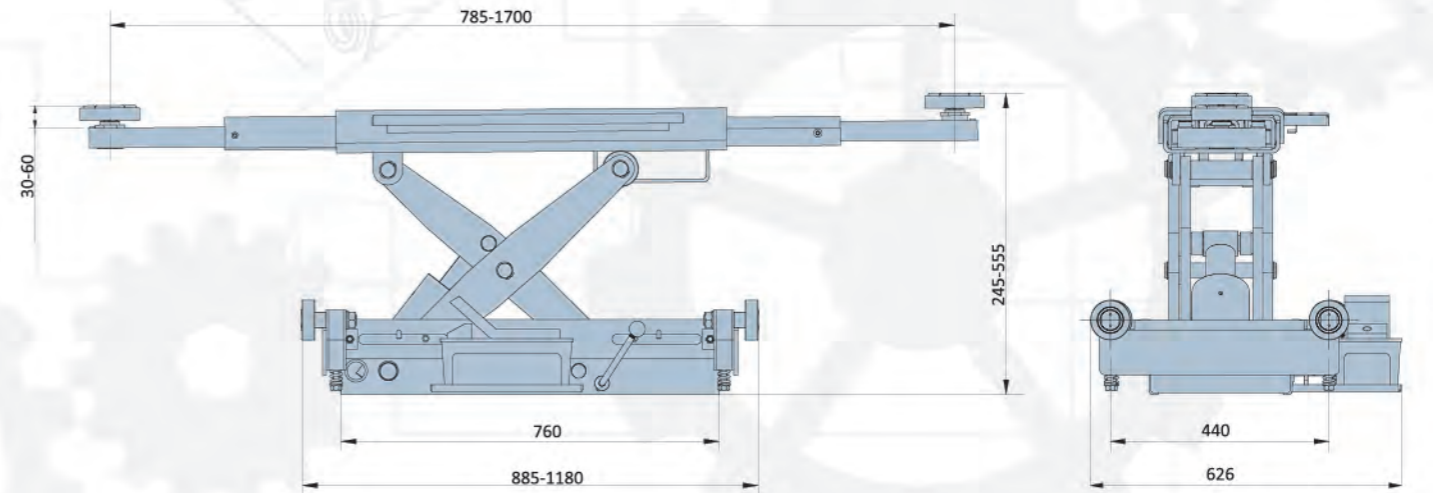
Model NO.	EE-CJ		EE-SCJ(B)	
Type	Manual Pump	Air Pump	Manual Pump	Air Pump
Lifting capacity	3000kg	3000kg	3000kg	3000kg
Max stroke	450mm	450mm	310mm	310mm
Initial height	230mm	230mm	245mm	245mm
Platform width	805-1200mm	805-1200mm	885-1180mm	885-1180mm
Width between adapters	800-1500mm	800-1500mm	785-1700mm	785-1700mm (Extended)
Support beam	Two stage	Two stage	Three stage	Three stage
Air supply	/	6-8bar	/	6-8bar
Rated oil pressure	24MPa	24MPa	24MPa	24MPa
Weight	160kg	160kg	170kg	170kg

* Technical data and composition presented in this catalogue may vary. Pictures reproduced are only indicative.

OVERALL DIMENSION



EE-CJ



EE-SCJ(B)



SCISSOR LIFT

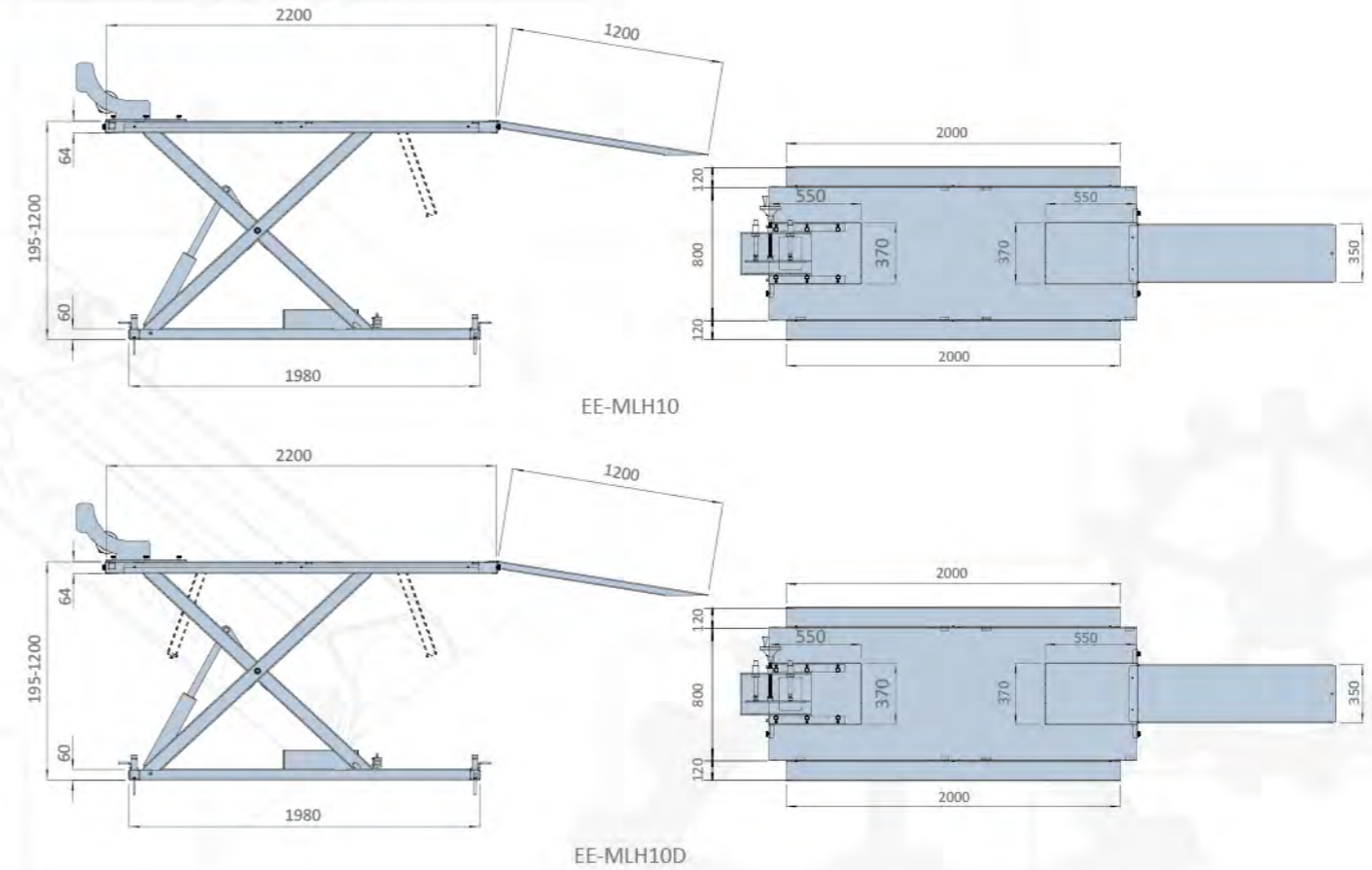
1000KG
Lifting Capacity

Max Lifting Height
1200mm

Hydraulic
Driven System



OVERALL DIMENSION



EE-MLH10/MLH10D

HYDRAULIC LIFTING TABLE

- With a maximal lifting capacity of 1000kg a rise height of 1200mm and the platform being as wide as 800mm, it is fit for service and repair to various sizes of motorcycle. Surface mounting.
- Built-in power unit. Good looking and space saving.
- Rising and lowering movement is easily done using a magnetic hand-held control unit with 24V operative voltage.
- Electrical release device. It is very convenient to disengage the mechanical locking unit for lowering operation.
- The ramp is made as low as an angle of 10 degrees for easier drive-on.
- Drop-down plates at both ends for efficient tire replacement and maintenance. (MLH10D)
- Drop-down plates at the front end for efficient tire replacement and maintenance. (MLH10)
- Robust and automatic mechanical locking device.
- Protective device against leakage. No unexpected collapse in case of oil hose breakage.
- Hydraulically protected against overloading.
- Standard manually-operated wheel-clamping device. Its width is adjustable so as to fit the most types of tires.
- Tool tray at both sides.
- Each side of the lifting platform is reserved with 4 slots for binding straps so as to satisfy stability requirement in various working circumstances.

TECHNICAL DATA

MODEL NO	EE-MLH10/MLH10D
Rated load	1000kg
Platform length	2200mm
Platform width	800mm
Rise height	1200mm
Initial height	195mm
Rise time	30s
Voltage	220V/1Ph
Power	0.75kW

* Machine shown with optional equipment. Actual product appearance may differ.



Manually operated wheel clamp.



Drive-on ramp
As low as an angle of 10 degrees.



A horizontal type of power unit saves your space.



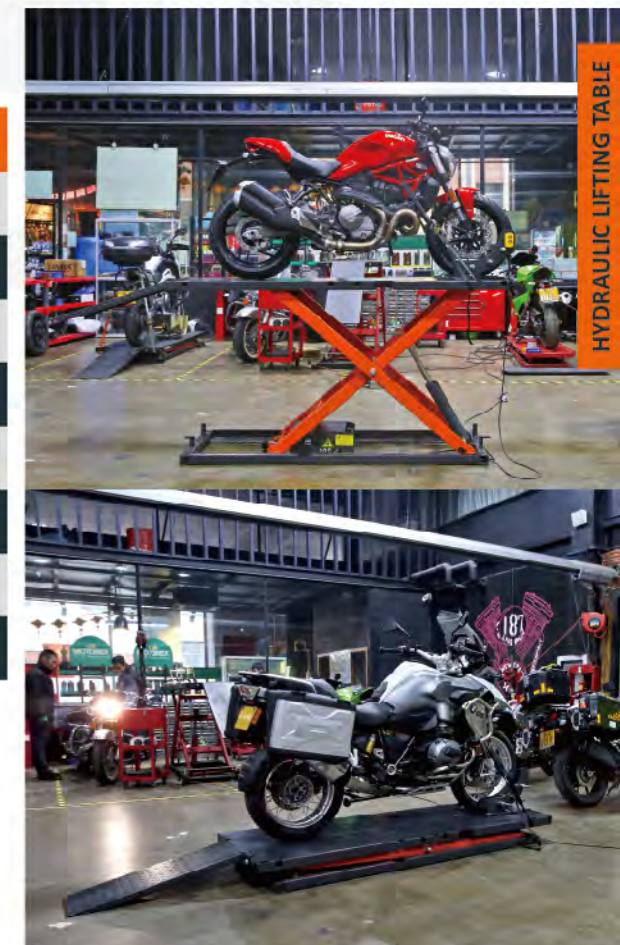
Electrical release device



Mobile kit



Magnetic hand-held control unit with 24V operative voltage.



HYDRAULIC LIFTING TABLE

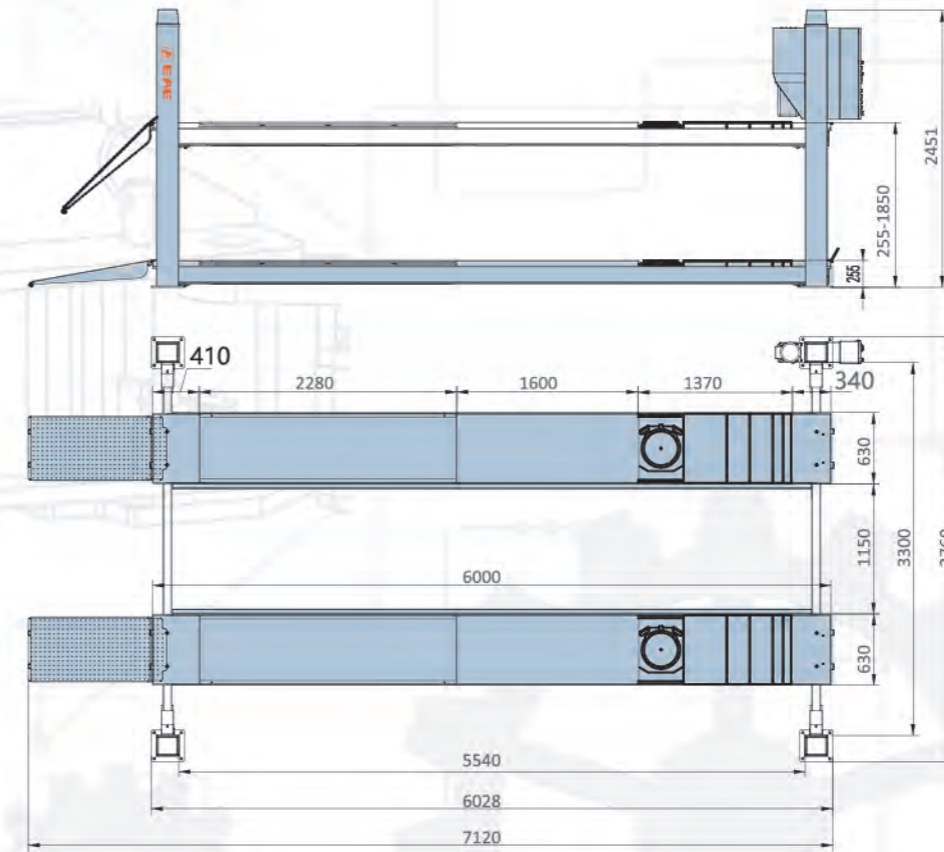
6500KG
Lifting Capacity

6028MM
Longer Platform

User friendly
Electrical Lock Release (E version)



OVERALL DIMENSION



Optional rolling jack for wheel-free service

EE-6435-65T

6.5T FOUR POST LIFT

- This alignment four post hydraulic lift is a perfect lift for four-wheel alignment, body repairs and quick inspection and diagnosis.
- With the maximum lifting capacity being up to 6500kg and runway (6028mm) with longer slip plates and various recesses for turntables, it can serve the most of road vehicles from passenger cars to vans, heavy pick-ups and some trucks as well.
- Independent and reliable mechanical locking devices which released electrically. Easy and efficient.
- Protective devices to minimize the risks of slackening steel ropes and hydraulic leakage.
- Control the maximum raising height with a safety switch to make the cylinder run within a safe stroke.
- Double-button control for lowering movement and the final portion of lowering is accompanied with an audible warning.
- 24V safe operating voltage.
- Smart design in electrical connection releases installers from complex wires and terminals and make initial installation much more efficient. Save more than 70% time on wire connection.
- Optional rolling jack.

TECHNICAL DATA

MODEL NO.	EE-6435-65T
Max. lifting capacity	6500kg
Max. lifting height	1850mm
Min. height	255mm
Lifting time	65S
Motor	3.5kW
Weight	2200kg
Into the car width	3300mm
Electricity supply	According To Customer Needs

* Machine shown with optional equipment. Actual product appearance may differ.



FLOW-CONTROL technique to guard against hydraulic leakage.



Protective device for slackening steel ropes



Heavy-duty steel rope with a diameter of 14mm. Reliable mechanical safety locking system.



Double-button control for lowering movement and the final portion of lowering is accompanied with an audible warning. 24V safety control voltage.



Long slip plate and adjustable turntable positions accommodate most of wheelbases.

8T/10T
Lifting Capacity of Each Column

STM32
Microchip Technology

Wireless
NO Cables



EE-HDM SERIES

MOBILE COLUMN VEHICLE LIFTS

- 8T/10T capacity per column.
- Set up multiple combinations (2,4, 6 or 8 columns) using an ID card for safe and authorised use.
- Communicate wirelessly by WLAN.
- No interference from external networks.
- Double safety guaranteed by mechanical and hydraulic locking systems.
- Synchronization automatically achieves by using STM32 microchip technology in the control system.
- Visually and constantly monitor synchronization through man-machine interface technology.
- Highly precise sensor accurately detects the rising height of each column.
- Charger with quality of industrial grade, batteries with large capacity ensures longer service time.
- 24V safe control system and 12V safe power system.
- Adjustable wheel pick-up fork accommodates most of wheels.
- Movable columns help you work efficiently and comfortably.

Constantly monitor the performance of the lift with man-machine interface technology.

Solo identity reader for authorized setting-up.



NO interference from external networks with wireless Wi-Fi communication.



Detect and feedback height with accurate sensors.

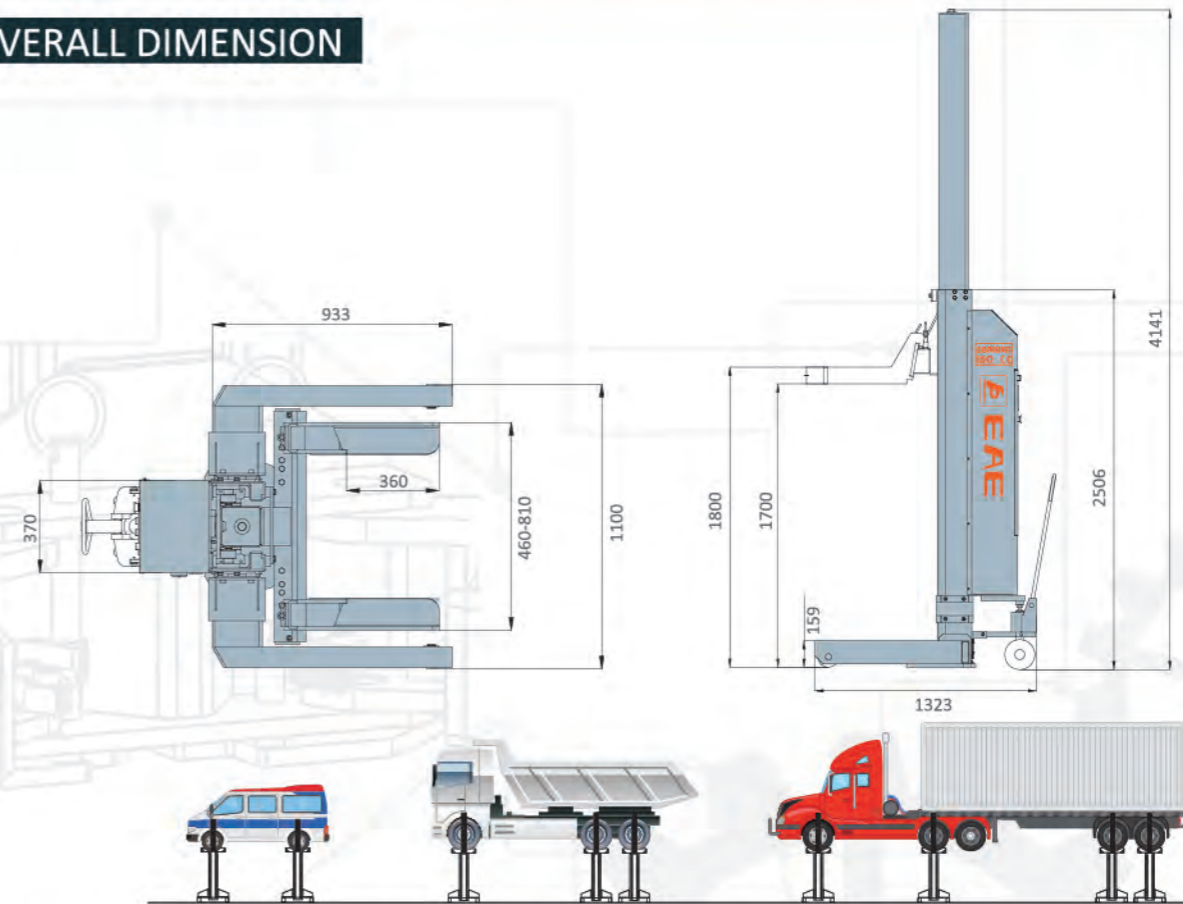


Adjustable wheel pick-up fork accommodates most of wheels.

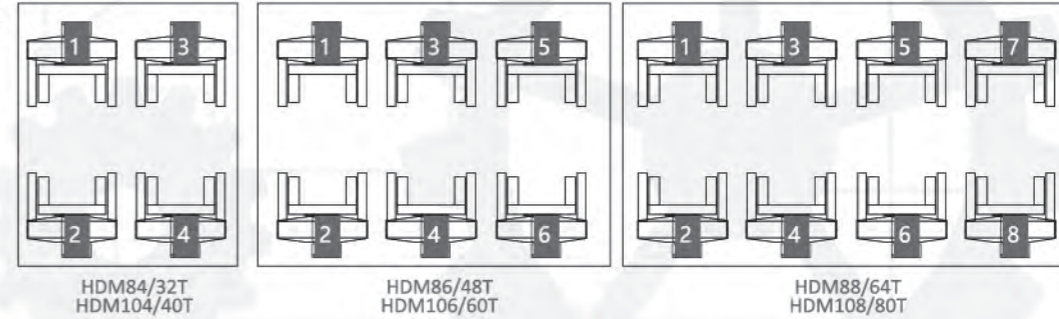


Stands

OVERALL DIMENSION



HDM SERIES



TECHNICAL DATA

MODEL NO.	EE-HDM104	EE-HDM84
Lifting capacity	10Tx4	8Tx4
Locking release	Electric	Electric
Max. lifting height	1800mm	1800mm
Min. height	159mm	159mm
Full-rise time under rated load	100s	100s
Motor power	2.2kWx4	2.2kWx4
Oil reservoir	18Lx4	18Lx4
Voltage control	DC24V	DC24V
Motor running voltage	DC12Vx4	DC12Vx4
Approximate Tire Size	500-1200mm	500-1200mm

* Machine shown with optional equipment. Actual product appearance may differ.



HEAVY DUTY LIFT

15T-45T
Lifting Capacity

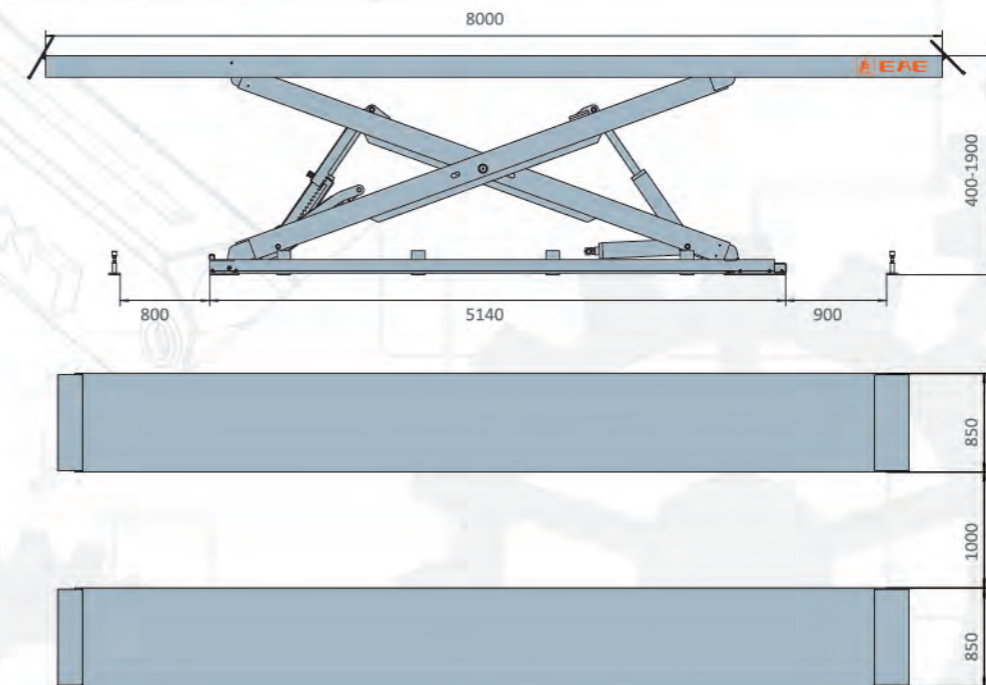
8000MM
Long Runways of Each Platform

Digital Data
Reading Monitor



EE-HX300/30T

OVERALL DIMENSION



TECHNICAL DATA

MODEL NO.	EE-HX150
Lifting capacity	15T
Max. lifting height	1900mm
Min. height	400mm
Platform width	850mm
Complete rise time under rated load	90S
Oil reservoir	40L
Phase	3Ph
Motor power	3.5kWx2
Air supply	6-8bar
Electricity supply	According To Customer Needs

* Machine shown with optional equipment. Actual product appearance may differ.



HEAVY DUTY LIFT



EE-HX SERIES

HEAVY DUTY SCISSOR LIFT

- Hydraulic synchronization by four cylinders. The mechanical safety locking unit automatically releases before descending.
- Safe low control voltage (24V) for all control buttons and switches.
- Constantly read the height and working status of each platform through visual monitor.
- Thanks to the CLOSED-LOOP control system, the two platforms automatically align with each other during every rising and lowering cycles. In normal working, the height deviation is limited within 20mm.
- The lifting system stops working in case that the height deviation exceeds 20mm.
- At most 6 platforms can work together synchronously.



Constantly read the height and working status of each platform through visual monitor.



Limit switch to ensure the cylinders work within its maximal stroke.



sensor



4-cylinder synchronizing structure

4000KG/4500KG/5500KG
Lifting Capacity

One Side Operation
More Convenient



EE-C9/C10
One Side Operation



EE-C12
One Side Operation



EE-C9/C10/C12

TWO POST LIFT

- 4000kg/4500kg/5500kg lifting capacity.
- Single side release for mechanical safety locking unit.
- Cylinder straight top device, run more smoothly.
- Durable cylinders in each column carry with anti-surge valves.
- With vehicle roof protection. The power system switches off when vehicle roof touches the rubber protected overhead bar.
- Standard door protection pads to prevent possible damage to the door opened without caution.
- Pre-fixed hydraulic pressure prevents overloading operation.
- Standard chain protection curtain.



One Side Safety
Locks Release

Pulley with
Derailment Protection



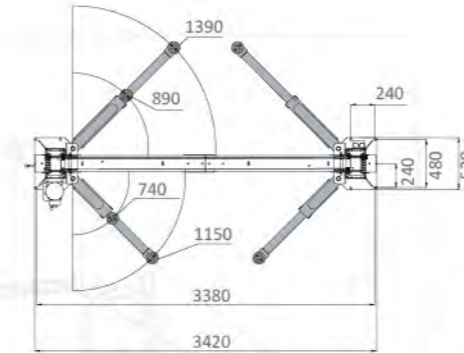
Height Adapter

Round Screw-up Lifting Pad

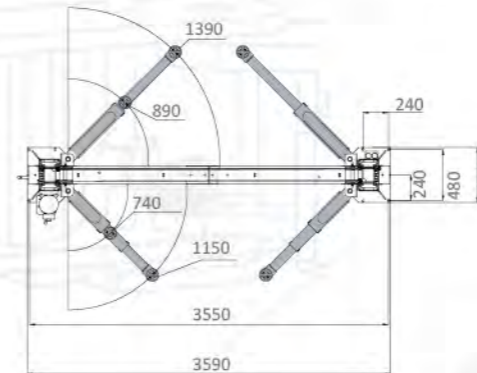


Door Protection Pads

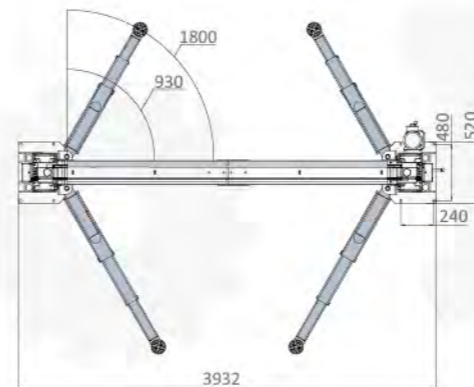
OVERALL DIMENSION



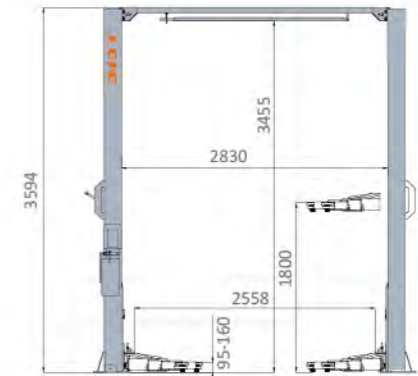
EE-C9



EE-C10



EE-C12



TECHNICAL DATA

MODEL NO.	EE-C9	EE-C10	EE-C12
Lifting capacity	4000kg	4500kg	5500kg
Max lifting height	1800mm	1800mm	1900mm
Min height	95mm-160mm	95mm-160mm	100mm-160mm
Lifting time	65S	65S	85S
Capacity of motor	2.2kW	2.2kW	2.2kW
Overall Height	3594mm	3594mm	4451mm
Drive through	2830mm	3000mm	3342mm
Electricity supply	According To Customer Needs	According To Customer Needs	According To Customer Needs

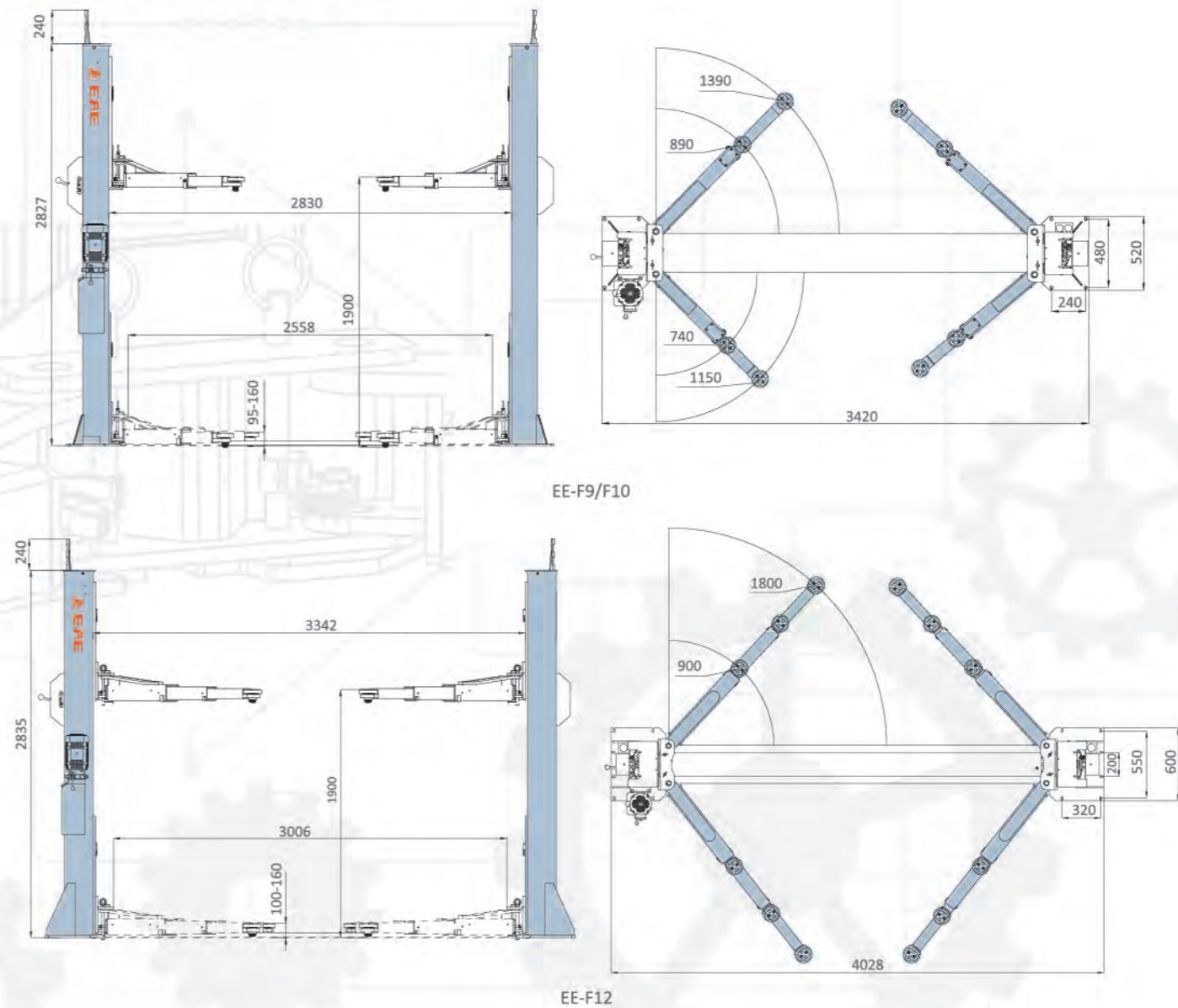
* Max. Lifting height is measured with adjustable screw pads in highest position.
* Machine shown with optional equipment. Actual product appearance may differ.

4000KG/4500KG/5500KG
Lifting Capacity

One Side Operation
More Convenient



OVERALL DIMENSION



One Side Safety Locks Release



Door Protection Pads



EE-F9/F10/F12

TWO POST LIFT

- 4000kg/4500kg/5500kg lifting capacity.
- Single side release for mechanical safety locking unit.
- Durable cylinders in each column carry with anti-surge valves.
- Standard door protection pads to prevent possible damage to the door opened without caution.
- Pre-fixed hydraulic pressure prevents overloading operation.
- Standard chain protection curtain.



Height Adapter



Round Screw-up Lifting Pad

TECHNICAL DATA

MODEL NO.	EE-F9	EE-F10	EE-F12
Lifting capacity	4000kg	4500kg	5500kg
Max lifting height	1900mm	1900mm	1900mm
Min height	95mm-160mm	95mm-160mm	100mm-160mm
Lifting time	65S	65S	65S
Capacity of motor	2.2kW	2.2kW	2.2kW
Rated oil pressure	18MPa	22MPa	23MPa
Drive through	2830mm	2830mm	3342mm
Overall Height	2827mm+240mm	2827mm+240mm	2835mm+240mm
Electricity supply	According To Customer Needs	According To Customer Needs	According To Customer Needs

* Max. Lifting height is measured with adjustable screw pads in highest position.
* Machine shown with optional equipment. Actual product appearance may differ.

3000KG
Lifting Capacity

Two Parking Lifts
Share One Power Unit

Space Saving
Less Investment

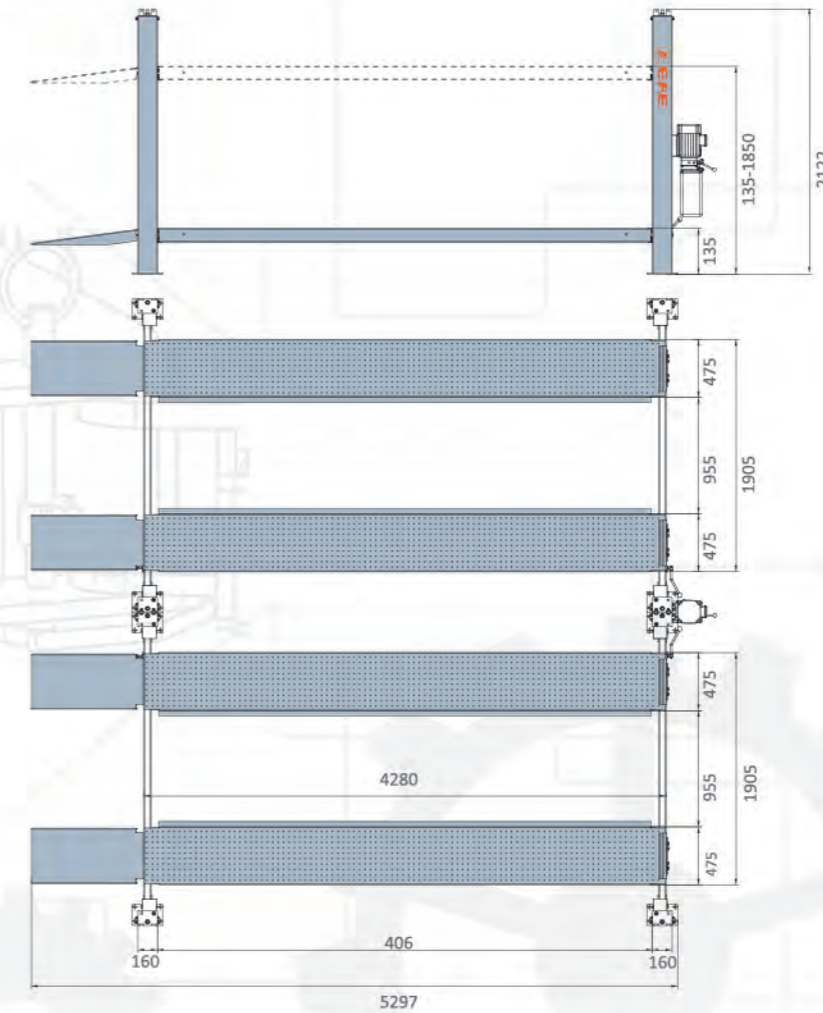


EE-64P2

MULTIPLE COMBINATION PARKING LIFT

- It can be installed in car sales shops, workshops, community supermarket, for classical car collection storage and so on.
- It is much more space saving, less investment and easier maintenance because of the unique design that two parking lifts share one power unit.
- The two units staying adjacent are connected by bolts at the top and secured with expansion bolts at the bottom. It is not only space saving, but also ensures stability.
- Removable drive-on ramps can fix on either end upon practical needs.
- 3000kg lifting capacity, 1850mm lifting height .
- Built-in robust and reliable mechanical lock and release devices make it also look comfortable
- Easy on-site installation and less demanding on foundation.
- 24V safety control voltage.
- Optional aluminum alloy decking make the parking area as a whole. Small vehicles like motorcycle, ATV, lawn mower can park on it.
- Optional oil drip pan.
- Zinc-coating pulleys with bronze bushings of advanced quality.

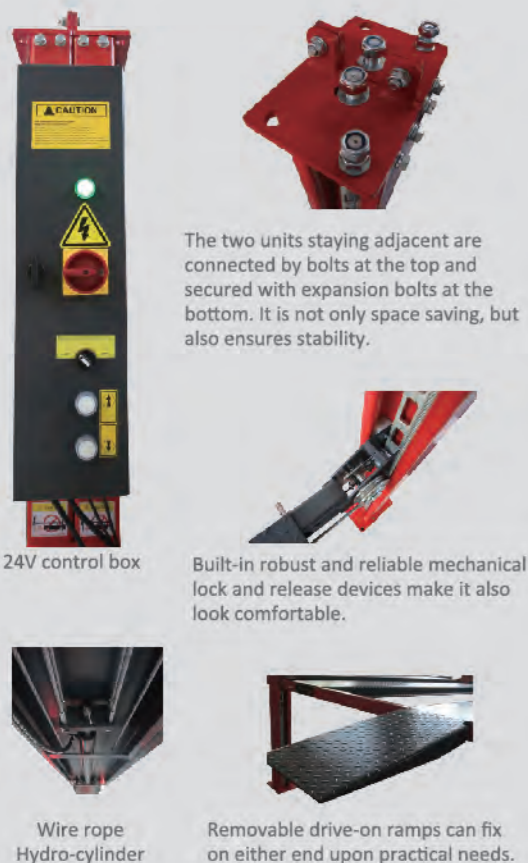
OVERALL DIMENSION



TECHNICAL DATA

MODEL NO.	EE-64P2
Lifting capability	3000kg
Total height	2122mm
Total length	5300mm
Total width	2570mm
Platform length	4270mm
Inter-column width	2400mm
Into the car width	2300mm
Wheelbase range	$\leq 3500\text{mm}$
Track range	1200-1650mm
Min height	135mm
Rated oil pressure	18MPa
Weight	750kg

* Max. Lifting height is measured with adjustable screw pads in highest position.
* Machine shown with optional equipment. Actual product appearance may differ.



24V control box

The two units staying adjacent are connected by bolts at the top and secured with expansion bolts at the bottom. It is not only space saving, but also ensures stability.

Built-in robust and reliable mechanical lock and release devices make it also look comfortable.

Wire rope Hydro-cylinder

Removable drive-on ramps can fix on either end upon practical needs.