

Model No. EE-SCJ

Rolling Jack

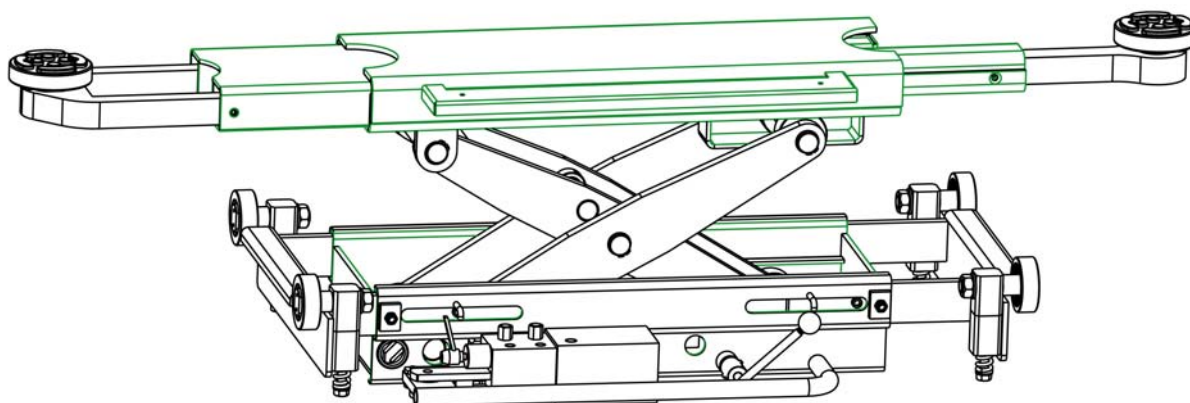
Manual /Pneumatic Drive

Lifting Capacity 3000KG

Installation, Operation  
and Parts Manual



EAE



*Distributed by*

*Please read this entire manual carefully and completely before installation or operation of the lift.*

[www.eae-ae.com](http://www.eae-ae.com)

<i>IMPORTANT SAFETY INSTRUCTIONS</i> .....	3
1.1 <i>Important notices</i> .....	3
1.2 <i>Qualified personnel</i> .....	3
1.3 <i>Danger notices</i> .....	3
1.4 <i>Warnings</i> .....	4
<i>GENERAL INFORMATION OF THE JACK</i> .....	4
2.1 <i>General descriptions</i> .....	4
2.2 <i>Construction of the lift</i> .....	5
2.3 <i>Name plate</i> .....	5
<i>INSTALLATION INSTRUCTIONS</i> .....	6
<i>OPERATION INSTRUCTIONS</i> .....	7
4.1 <i>Precautions</i> .....	7
4.2 <i>Descriptions of the drive pumps</i> .....	7
4.3 <i>Raise and lower the jack</i> .....	7
<i>Annex 1, Dimensions</i> .....	8
<i>Annex 2, Hydraulic system</i> .....	9
<i>Annex 3, Mechanically exploded drawings</i> .....	10

## **IMPORTANT SAFETY INSTRUCTIONS**

### **1.1 Important notices**

We will offer one-year's quality warranty for the whole machine, during which any quality problem will be properly solved. However, we will not take any responsibility for whatever bad consequence resulted from improper installation and operation, overload running or unqualified ground condition.

Users must always bear in mind that this jack is specially designed for lifting vehicles, so never use it for any other purposes. Otherwise, we, as well as our sales agency, will not bear any responsibility for accidents or damages of the lift.

Read this manual carefully before operating the machine so as to avoid economic loss or personnel casualty incurred by wrong operation.

Without our professional advice, users are not permitted to make any modification to the control unit or whatever mechanical unit.

### **1.2 Qualified personnel**

1.2.1 Only properly trained personnel can use the lift.

1.2.2 Electrical connection must be done by a competent electrician.

1.2.3 People who are not concerned are not allowed in the lifting area.

### **1.3 Danger notices**

1.3.1 Read and understand all safety warnings before operating.

1.3.2 Keep hands and feet away from any moving parts.

1.3.3 Only properly trained personnel can operate the lift.

1.3.4 Do not wear unfit clothes such as large clothes with flounces, tires, etc, which could be caught by moving parts.

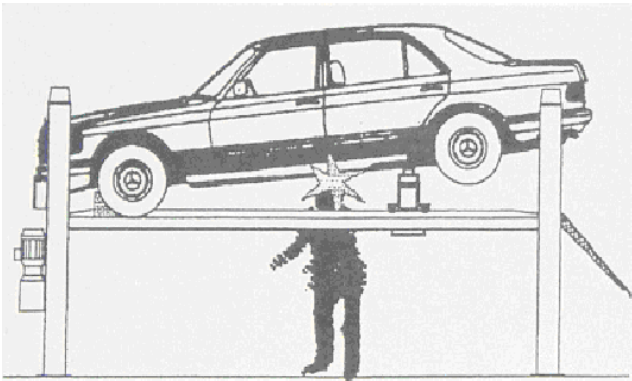
1.3.5 Always insure the safety locks are engaged before any attempt to work near or under the vehicle. Never remove safety related components from the lift. Do not use if safety related components are damaged or missing.

1.3.6 Do not rock the vehicle while on the jack or remove any heavy component from vehicle that may cause excessive weight shift.

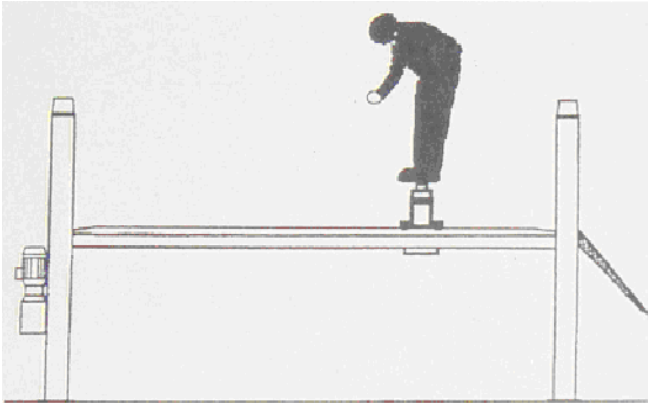
1.3.7 Do not modify any parts of the jack without manufacturer's advice.

## 1.4 Warnings

### 1.4.1 Avoid being bashed over head.



### 1.4.2 Forbidden standing over the lifting beam.



## GENERAL INFORMATION OF THE JACK

### 2.1 General descriptions

This jack is mainly composed of scissor arms, beam, base, oil cylinder and pump.

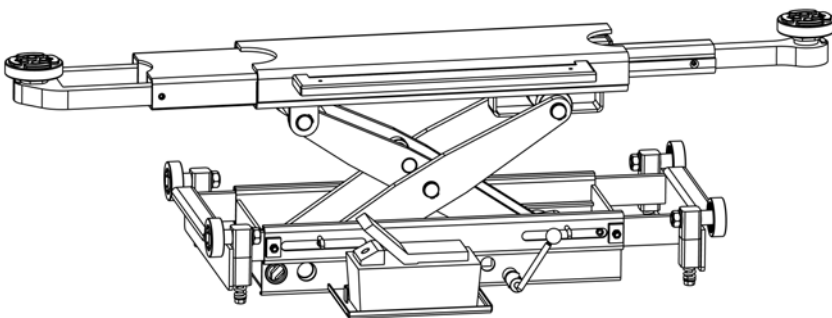
It is powered by a manual pump or pneumatic pump.

During lifting process, the safety lock will automatically bite with the safety rack.

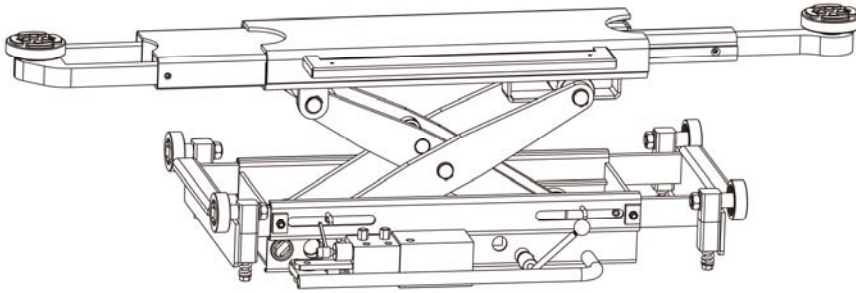
There are 2 types of the drive system, pneumatic drive and manual drive.

**(A: for pneumatic drive M: for manual drive)**

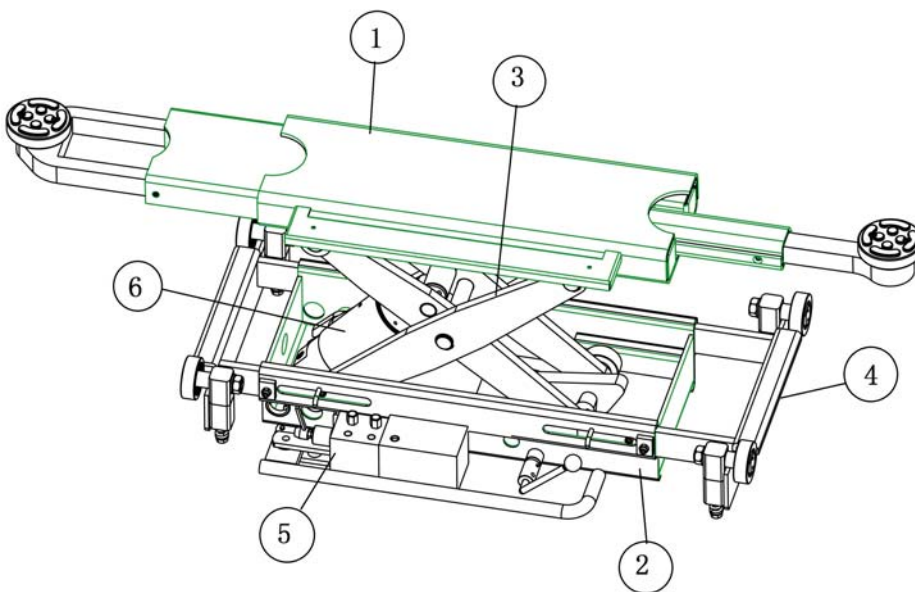
1. SCJ-A (Pneumatic pump)



## 2. SCJB-M (manual pump)



### 2.2 Construction of the lift



1. Beam    2. Base    3. Scissor arm    4. Supporting frame    5. Manual drive / Pneumatic drive    6. Oil cylinder

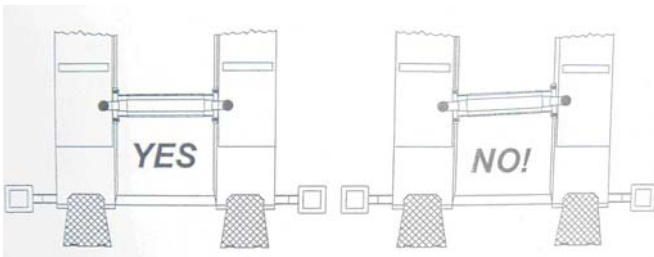
### 2.3 Name plate

Check the work voltage and the lift capacity printed on the name plate.

Do not lift vehicles with weight beyond the capacity.

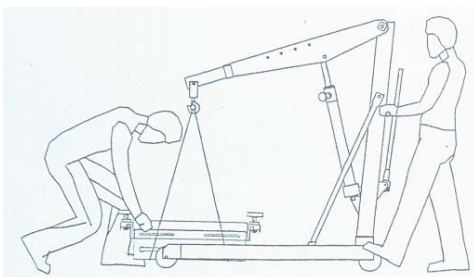
S/N and production date could be helpful for after sale service.

## INSTALLATION INSTRUCTIONS

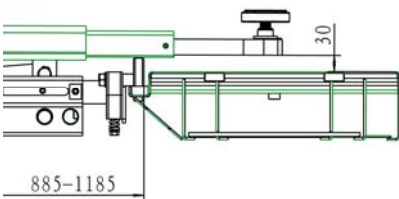


**Step 1: Take off the packing materials;**

**Step 2: Use proper lifting tools to have the jack placed onto your lift.**



Installation for the jack with steel roll wheel



**Step 3: Connect air hose (it is only applicable to pneumatic drive jack)**



Air-in connector

Pneumatic pump

The end user need to prepare  $\varnothing$  8mm air hose. Length of the hose is decided by practical use.

Connect one end of the hose to the air-in connector on the pump and the other end to the compressed air supply outlet.

(Air pressure: 6~8 bar)

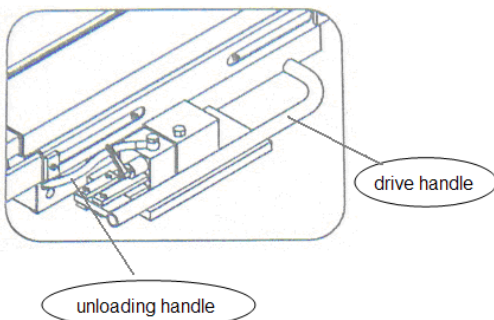
## OPERATION INSTRUCTIONS

### 4.1 Precautions

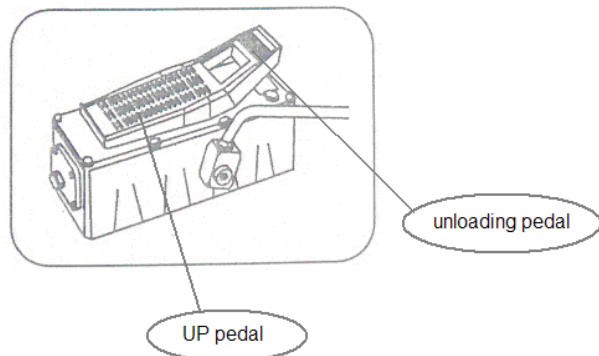
- 4.1.1 Check all the joints of oil hose. Only when there is no leakage, the jack can start work.
- 4.1.2 The jack, if its safety device malfunctions, shall not be used.
- 4.1.3 Operators and other personnel concerned should stand in a safety area during lifting and lowering process.
- 4.1.4 Only when your lift has been raised to a proper height can the operator use the jack.
- 4.1.5 Make sure the safety lock of the jack is engaged before start working under the vehicle and during lifting and lowering process, height of operator must be lower than platform of your lift.

### 4.2 Descriptions of the drive pumps

#### 1. Manual drive pump



#### 2. Pneumatic drive pump



### 4.3 Raise and lower the jack

#### Raise the jack

- 1. Ensure the operation manual is well understood before operation.
- 2. Move the lifting tray to proper pick-up points.
- 3. Raise the beam of the jack (different means for different drives)

**For manual hydraulic pump,** move forth and back the drive handle to raise the jack.

**For pneumatic hydraulic pump,** press the pedal on the pump to raise the jack.

- 4. Engage the mechanical lock and check the stability of the raised vehicle.

**For Manual hydraulic pump, press manual unloading handle on the hydraulic pump to make the safety lock engaged.**

**For Pneumatic hydraulic pump, press manual unloading pedal on the hydraulic pump to make the safety lock engaged.**

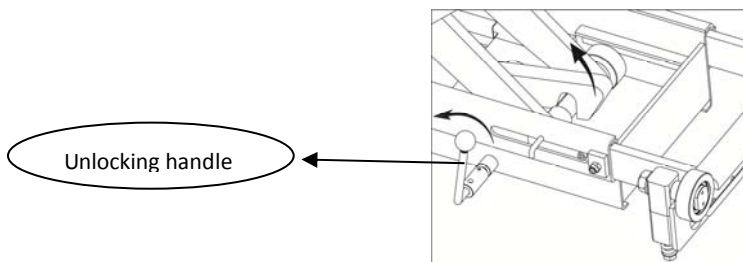
#### Release the mechanical lock and lower the jack

- 1. Disengage the mechanical lock

For manual hydraulic pump, move forth and back the handle to raise the jack and release the safety lock.

For pneumatic hydraulic pump, press the pedal on the pump to raise the jack and release the safety lock.

- 2. Pull the unlocking handle to release the lock.



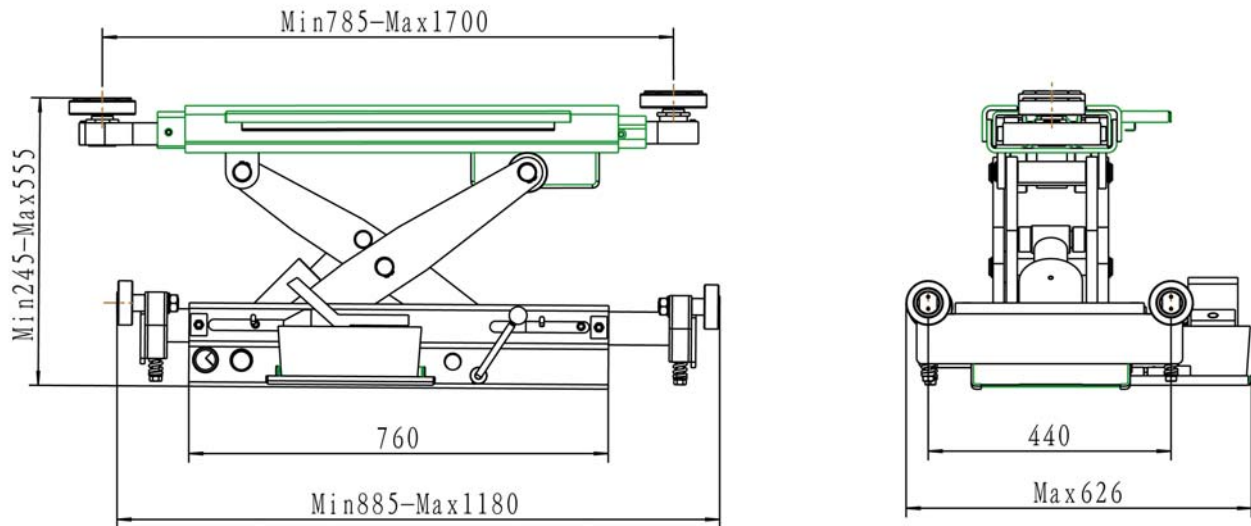
- 3. Lower the jack.

For manual hydraulic pump, press the manual unloading handle to lower the jack.

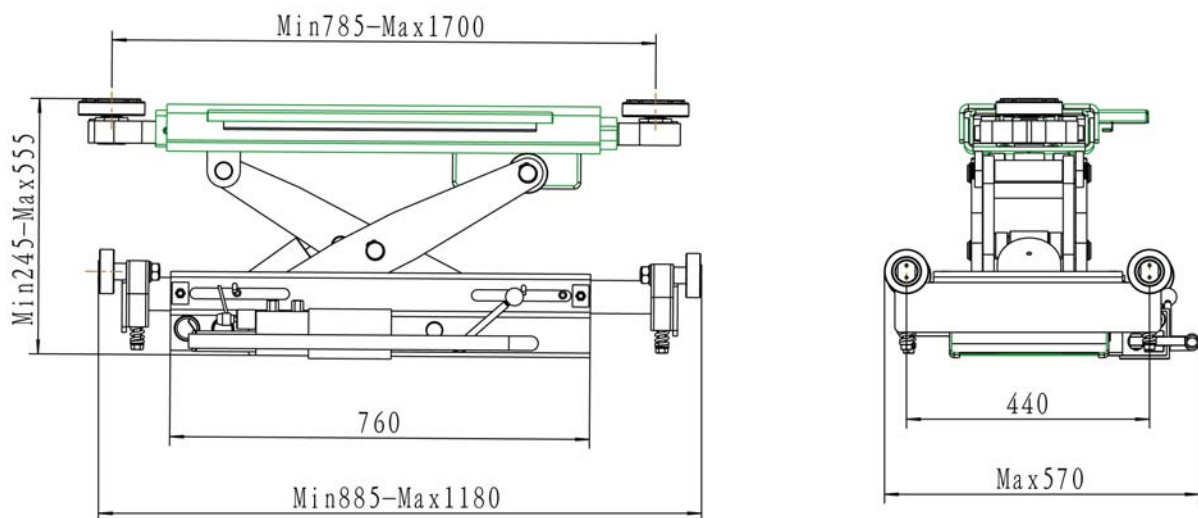
For pneumatic hydraulic pump, press the unloading pedal to lower the jack.

**Annex 1, Dimensions**

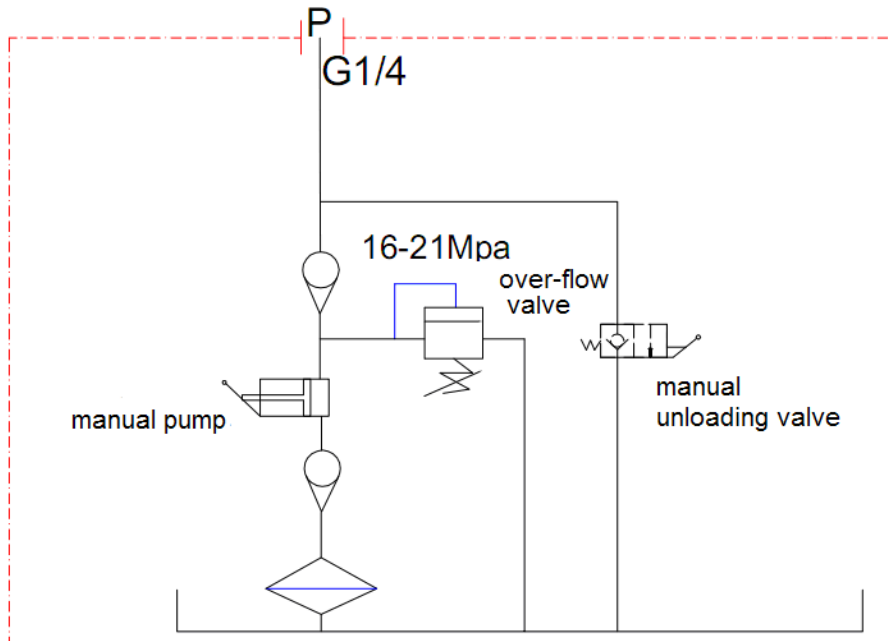
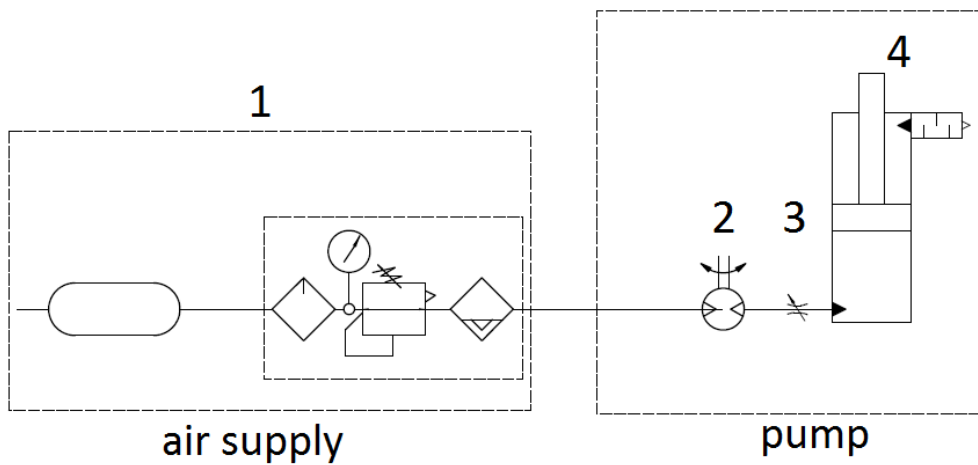
## 1. SCJ-A



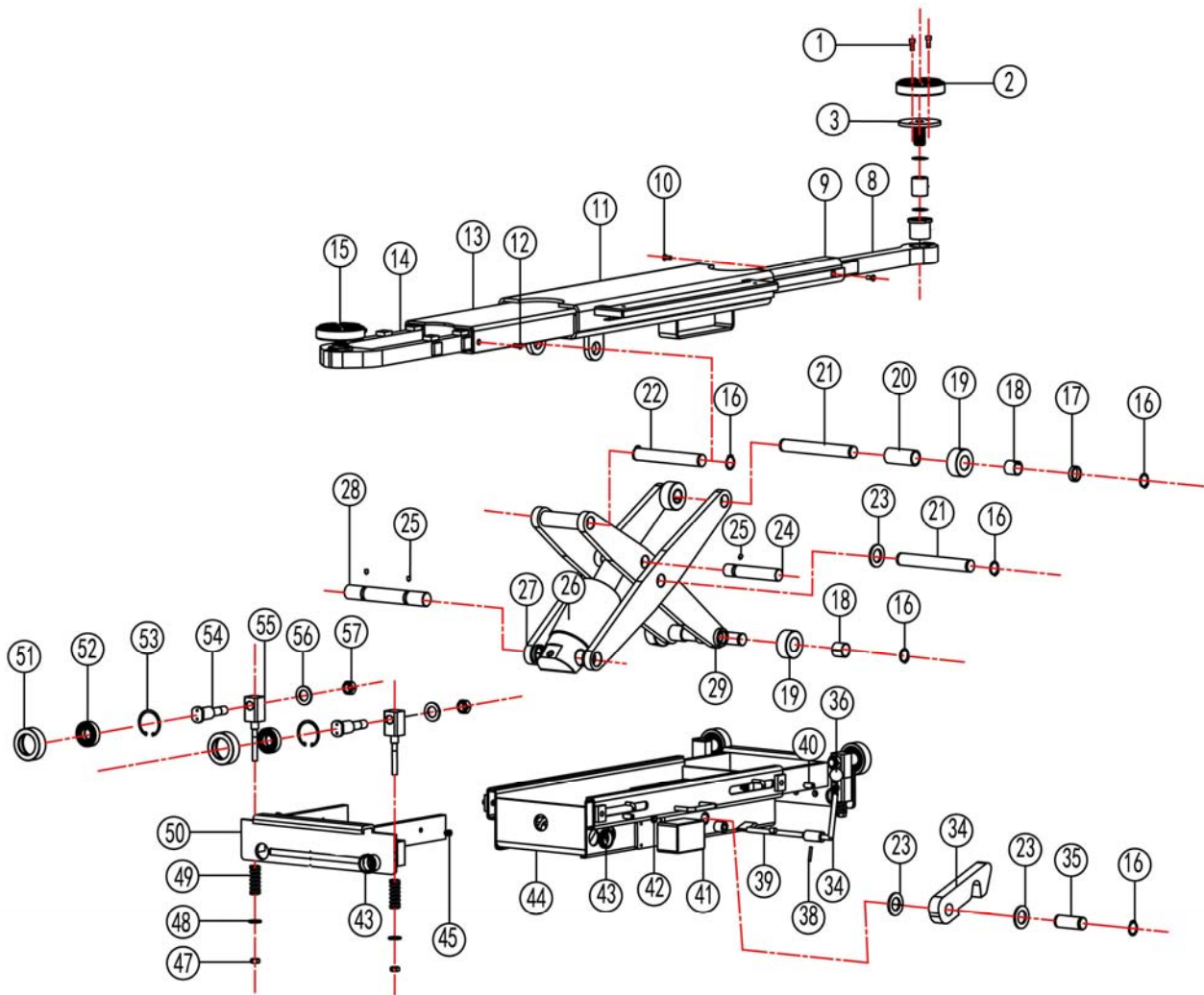
## 2. SCJ-M





**Annex 2, Hydraulic system**
**For the manual pump**

**For the pneumatic drive pump**


POS.	Description
1	Filtered air supply
2	Pneumatic driven hydraulic pump
3	Pneumatic connector (with throttle valve)
4	Oil cylinder

**Annex3, Mechanically exploded drawings.**


POS.	CODE	Descriptions	Specification	Qty
1	202111007	Hex socket flat head screw	M8*20	4
2	420040250	Round rubber pad	6254E-A7-B4-C4	2
3	610004547	Lifting adapter	6254E-A7-B4	2
8	614028045B	Beam IV	SCJB-A1-B5	1
9	614028042	Beam III	SCJB-A1-B4	1
10	202103019	Cross socket flat head screw	M8*16	2
11	614028039	Beam assembly	SCJB-A1-B1	1
12	202103021	Cross socket flat head screw	M8*10	5
13	614028040	Beam I	SCJB-A1-B2	1
14	614028041B	Beam II	SCJB-A1-B3	1
15	610004547	Lifting adapter	6254E-A7-B4	2
16	204301011	Circlip	Φ30	8
17	410280061	Spacer B for the rolling wheel	SCJ-A3-B4	2
18	205101020	Bushing 3030	SF-1,3030	6
19	410282431B	Rolling wheel	SCJB-A2-B4	4

POS.	CODE	Descriptions	Specification	Qty
20	410281651	Spacer A for the rolling wheel	SCJB-A3-B3	1
21	410281671	Shaft for the upside rolling wheel	SCJB-A3-B5	2
22	410281621	Shaft of the support holder	SCJB-A2-B3	1
23	204101015	Flat washer	Φ30	4
24	410281611	Upside shaft of the cylinder	SCJB-A2-B2	1
25	202205006	Hex socket tapping screw	M8*10	3
26	615028029B	Oil cylinder	SCJB-A5	1
27	614028035	Scissor bracket B	SCJB-A3-B2	1
28	410281821	Shaft at the base	SCJB-A3-B6	1
29	614028034	Scissor bracket A	SCJB-A2-B1	1
34	410281953	Mechanical safety hook	SCJB-A7-B1	1
35	410281921	Shaft for the safety hook	SCJB-A7-B3	1
36	208105003B	D32 handle ball	D32	1
37	612028006	Handle	SCJB-A7-B4	1
38	206102006	Elastic cylindrical pin	M5*35	1
39	612028005	Connection rod for mechanical lock	SCJB-A7-B2	1
40	202206004	Inside hex tapping screw	M12*30	4
41	615028001	Manual pump	CJ-A12-B9	1
	615028020	Pneumatic pump	BQ-DA5	1
42	203101007	Hex nut	M12	4
43	420040030	40 hose clip	6254E-A12	3
44	614028047	Base frame (for pneumatic drive)	SCJB-A4-QI	1
	614028048	Base frame (for manual drive)	SCJB-A4-M	1
45	202109039	Hex socket cylinder head screw	M10*8	4
47	203103008	Hex locking nut	M12	4
48	204101007	Flat washer	M12	4
49	410280421	Compressed spring	CJ-A12-B7-C6	4
50	614028050	Support bracket	SCJB-A9-B1-SHOU	2
51	410281971	Rolling wheel	SCJB-A9-B2-C1	4
52	205201005	Cylindrical roller bearing	NUP 206E(GB/T283-1994)	4
53	410220630	Circlip	D62	4
54	410281441B	Shaft	SCJB-A9-B3	4
55	410281451	Spring shaft	SCJB-A9-B4	4
56	204101007	Flat washer	M20	4
57	203103012	Hex locking nut	M20	4

**Seal rings for oil cylinder**

CODE	Descriptions	Specification	Qty
207105021	Dust proof ring	DH 60	1
207102035	Type Y seal ring	UN 85*100*9	1
207101071	Type 0 seal ring	38.7*3.55	1
207101072	Type 0 seal ring	40*3.55	1
207101073	Type 0 seal ring	90*5.3	1
207101074	Type 0 seal ring	100*3.55	1