

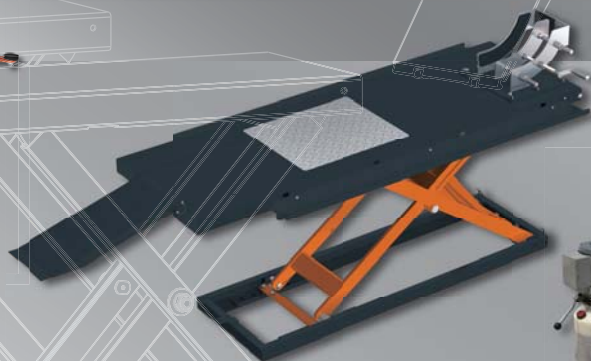
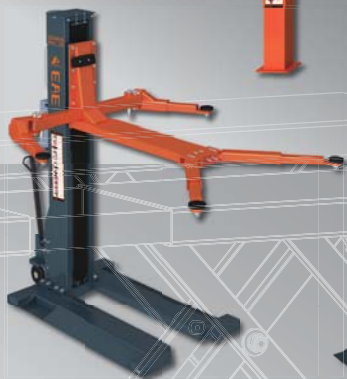
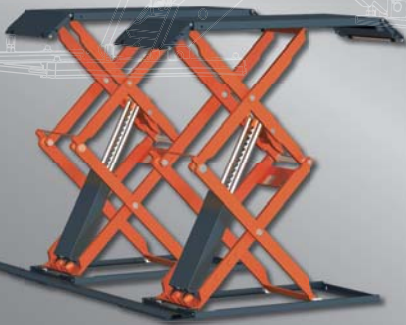


**EAE**

[www.eae-ae.com](http://www.eae-ae.com)

# 艾沃意特举升机 人车都安全

Designed for the Effective and Practical Automotive Technicians



GENERAL CATALOGUE

**Booth NO. :  
15317 (Westgate)**

# LONG PLATFORM SCISSOR LIFT SERIES



## EE-HX6 HEAVY DUTY SCISSOR LIFT

6000kg (13000LBS.) Heavy Duty Lifting Capacity	5424mm (213 9/16") Long Platform	All Versions S, B, BWF, BPD Platforms
--	--	---



Anti-abrasion Slider



Wheel Free Lift



Pneumatic Rear Side Slip



Mechanical Safety Lock



Adjustable Turntable



24v Safe Control System



## EE-6605 LONG PLATFORM SCISSOR LIFT

5500KG (12000LBS.) Heavy Duty Lifting Capacity	5460MM (214 15/16") Long Platform	240MM (9 7/16") Drive-on Height
--	---	---------------------------------------



## EE-6603 ALIGNMENT SCISSOR LIFT

5000KG (11000LBS.) Max. Capacity	5100MM (200 13/16") Max. Platform Length	ALS Automatic Leveling System(Optional)
--	--	---



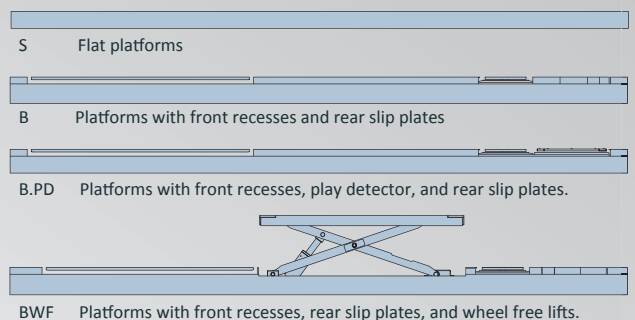
## EE-6604V2 LOW PROFILE SCISSOR LIFT

4000KG (9000LBS.) Lifting Capacity	180MM (7 1/16") Drive-on Height	Surface Installation No concrete works needed Ramps included
--	---------------------------------------	--



## EE-LX35 LOW PROFILE SCISSOR LIFT

3500KG (7700LBS.) Lifting Capacity	140MM (5 1/2") Drive-on Height	Add-On Wheel Alignment runway kit (B type)
--	--------------------------------------	--





# FOUR POST LIFT SERIES



EE-6435V2.BWF

## EE-6435V2.BWF FOUR POST LIFT

**5000KG**  
(11000LBS.)  
Max. Capacity

**3000MM**  
(118 1/8")  
Between  
Columns for 3D Aligning

**Wheel Free Lift**  
Standard  
4000KG Lifting Capacity



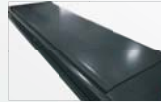
Solid and Robust  
Cable Slack System



Motor Housing



Oil Hose Protection



Rear Side Slip



24V Control Box



Motor Housing



Optional Rolling Jacks



Adjustable Turntable



Rear Side Slip



EE-6435V2.B  
(with two optional rolling jacks)

## EE-6435V2 FOUR POST LIFT

**5000KG**  
(11000LBS.)  
Max. Capacity

**5780MM**  
(222 9/16")  
Max. Platform Length

**User friendly**  
Electrical Safety  
Lock Release System (E version)

## EE-6445P PARKING LIFT

**4,000KG**  
(9000LBS.)  
Lifting Capacity

**1,970MM**  
(77 9/16")  
Lifting Height

**4900MM**  
(192 15/16")  
Longer Runways



Release Handle And holder



Cylinder Support



Double Sheave Pulley



Mechanized Safety Locking Unit



S Flat platforms

B Platforms with front recesses and rear slip plates

B.PD Platforms with front recesses, play detector, and rear slip plates.

BWF Platforms with front recesses, rear slip plates, and wheel free lifts.

# TWO POST LIFT SERIES



## EE-C18 HEAVY DUTY TWO POST LIFT

<b>8000kg</b> (18000LBS.) Heavy Duty Lifting Capacity	<b>4900MM</b> (192 15/16") Height available upon request	<b>2080MM</b> (81 7/8") Max. Lifting Height with Standard SUV Adapters
--	---	---



Mechanical Safety Lock



One Side Safety Locks Release



Door Protection Pads



Vehicle Roof Protection Limit Switch



Round Screw-up Lifting Pad and Triple Telescope Straight Arm



One Side Safety Locks Release

Vehicle Roof Protection Limit Switch



Mechanical Safety Lock



Round Screw-up Lifting Pad

## EE-C12/EE-C10 CLEAR FLOOR TWO POST LIFT

<b>6000/4500KG</b> (13000/10000LBS.) Lifting Capacity	<b>110MM</b> (4 5/16") Min. Height	<b>2000MM</b> (78 3/4") Max. Lifting Height with Standard SUV Adapters
--	---------------------------------------	---



## EE-62B/62C MODULAR TWO POST LIFT

**4200KG**  
(9300LBS.) Max. Capacity

**APS**  
Accurate Parking System  
Technology By EAE

**Modular Design**  
Change from baseplate to clearfloor with optional kit



EE-62B



Symmetric Clearfloor Kit



Optional H frame.



EE-62C



EE-6255E



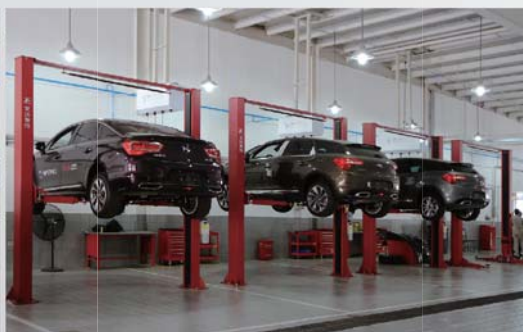
EE-6215E

## EE-6255E/6215E TWO POST LIFT

**5000KG**  
(11000LBS.) Lifting Capacity

**2000MM**  
(78 3/4") Max. Lifting Height with Standard SUV Adapters

**Versatile**  
From Smart To Sprinter





# TWO POST LIFT SERIES



Wider Door Opening



**EE-6264C**

## ASYMMETRIC CLEAR FLOOR LIFT

4000KG (9000LBS.) Lifting Capacity	2000MM (78 3/4")Max. Lifting Height with Standard SUV Adapters	Asymmetric Columns for wider door opening
--	--	---



**EE-6214EKZ/6215EKZ**

## ASYMMETRIC CLEAR FLOOR LIFT

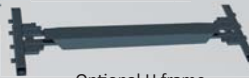
4000/5000KG (9000/11000LBS.) Lifting Capacity	2070MM (81 1/2")Max. Lifting Height with Standard SUV Adapters	Asymmetric 30 degree column installation for wider door opening
---	--	---



EE-6214



EE-6254



Optional H frame.



EE-6254E



EE-6214E

**EE-6214/6254**

## MANUAL RELEASE TWO POST LIFT

4000KG (9000LBS.) Lifting Capacity	90MM (3 9/16") Min. Height	2000MM (78 3/4")Max. Lifting Height with Standard SUV Adapters
--	----------------------------------	--

**EE-6214E/6254E**

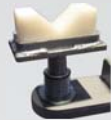
## AUTOMATIC RELEASE TWO POST LIFT

4000KG (9000LBS.) Lifting Capacity	90MM (3 9/16") Min. Height	2000MM (78 3/4")Max. Lifting Height with Standard SUV Adapters
--	----------------------------------	--

## SPECIAL ADAPTORS AND PADS



Universal Application



Sprinter(NCV3)  
With Prism For Rear Pick-up Point



Off-road Vehicles And  
Commercial Vans



MB Off-road Vehicles GW  
460/463,MB100etc



For Vehicle Chassis  
With U-Shape Pick Up Position



For SUV,4\*4, Off-road Vehicles.



Commercial Vans at Vehicles  
Frames-The U-Profile Locks The Vehicle



Sprinter(NCV3) With Positioning  
Pin For Front Pick-up Point



75mm  
Casting Height Adapter



# SHORT PLATFORM SCISSOR LIFT SERIES



## EE-65A.40T HEAVY DUTY FULL RISE SCISSOR LIFT

**4000KG**  
(9000LBS.)  
Lifting Capacity

**130MM**  
(5 1/8")  
Drive-on Height

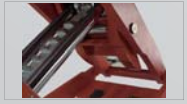
**1930MM**  
(76")  
Max. Lifting Height



Extendible Platform



Height Limit Switch



Start-Up Plate



Four Cylinder Design



Mechanical Safety Lock



Anti-abrasion Slider



**ALS**  
ALS Technology by EFE



## EE-6503V2 FULL RISE SCISSOR LIFT

**3500KG**  
(7700LBS.)  
Lifting Capacity

**Extendable Platform**  
One Side or Double Sides  
for Long Vehicles

**ALS**  
Automatic Leveling  
System(Optional)

## EE-6501V2 FULL RISE SCISSOR LIFT

**3000KG**  
(6600LBS.)  
Lifting Capacity

**110MM**  
(4 5/16")  
Drive-on Height

**Curved Type**  
Starting up plate  
Ensures quiet ground touching



Lowest Position



Start-up Rollers

## EE-MR30 MID RISE SCISSOR LIFT

**3000KG**  
(6600LBS.)  
Lifting Capacity

**105MM**  
(4 1/8")  
Drive-on Height

**Double Safety**  
Hydraulic  
and Mechanical

## EE-MR35 MID RISE SCISSOR LIFT

**3500KG**  
(7700LBS.)  
Lifting Capacity

**110MM**  
(4 5/16")  
Drive-on Height

**Starting-Up Plate**  
for Easy Raising  
from Low Point

## EE-TS6600 MID RISE SCISSOR LIFT

**3000KG**  
(6600LBS.)  
Lifting Capacity

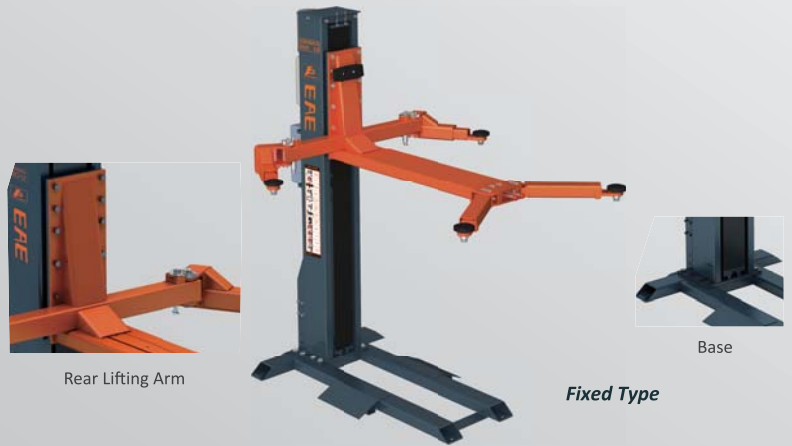
**Movable**  
Easy to move  
Mobile design

**Double Safety**  
Hydraulic  
and Mechanical





# SINGLE POST LIFT SERIES



**EE-612E**

**EE-612FE**

- 2500KG (5500LBS.) Lifting Capacity
- Swing Arms Makes Easy To Find Picking Up Points
- One Button controls up and down

# HYDRAULIC LIFTING TABLE SERIES



**EE-MLH600**

600kg(1300LBS.) Lifting Capacity  
2200X700mm(86 5/8"x27 9/16")

**EE-MLH1000**

1000kg(2200LBS.) Lifting Capacity  
2200X700mm(86 5/8"x27 9/16")

**EE-MLH1400**

1400kg(3100LBS.) Lifting Capacity  
2600X1640mm(102 3/8"x64 5/9")



Manual front wheel clamping device



Scissor Jack (Optional)



Strap (Optional)



Pneumatic wheel clamping device (Optional)



Mechanical safety lock



10 13/16" (275mm) Optional side extensions for ATVs, lawn mower etc.





**EAE**



**EAE Automotive Equipment Company Limited**

Manufacturing Facility : 1089 North Yunlian Rd.wujang Edz, Suzhou, China | Web : [www.eae-ae.com](http://www.eae-ae.com)



Toll Free Call : 400 9911 109 | E-mail : [sales@eae-ae.com](mailto:sales@eae-ae.com)